

Portable System Owners Manual

Customer Service Center

• N53 W24700 South Corporate Circle • Sussex, WI 53089 • U.S.A.

Adult Assembly Required.

This manual, accompanied by sales receipt, should be saved and kept on hand as a convenient reference, as it contains important information about your model.



WARNING!



READ AND UNDERSTAND OPERATOR'S MANUAL BEFORE USING THIS UNIT.

FAILURE TO FOLLOW OPERATING INSTRUCTIONS COULD RESULT IN INJURY OR DAMAGE TO PROPERTY.

Write Model Number From
Box Here:

REQUIRED TOOLS AND MATERIALS:



• Two (2) Capable Adults



• Tape Measure



• Wood Board (scrap)



• Sawhorse or Support Table

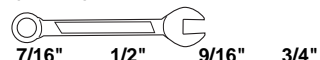


• Step Ladder 8 ft. (2.4m)



• Safety Glasses

• (2 each) Wrenches



AND/OR

(2) Socket Wrenches and Sockets



7/16" 1/2" 9/16" 3/4"

• Extension



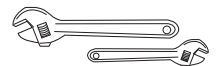
• Phillips-Head Screwdriver



• Garden Hose or Sand



• Optional: Large & Small Adjustable Wrenches



Toll-Free Customer Service Number for U.S: 1-800-558-5234,

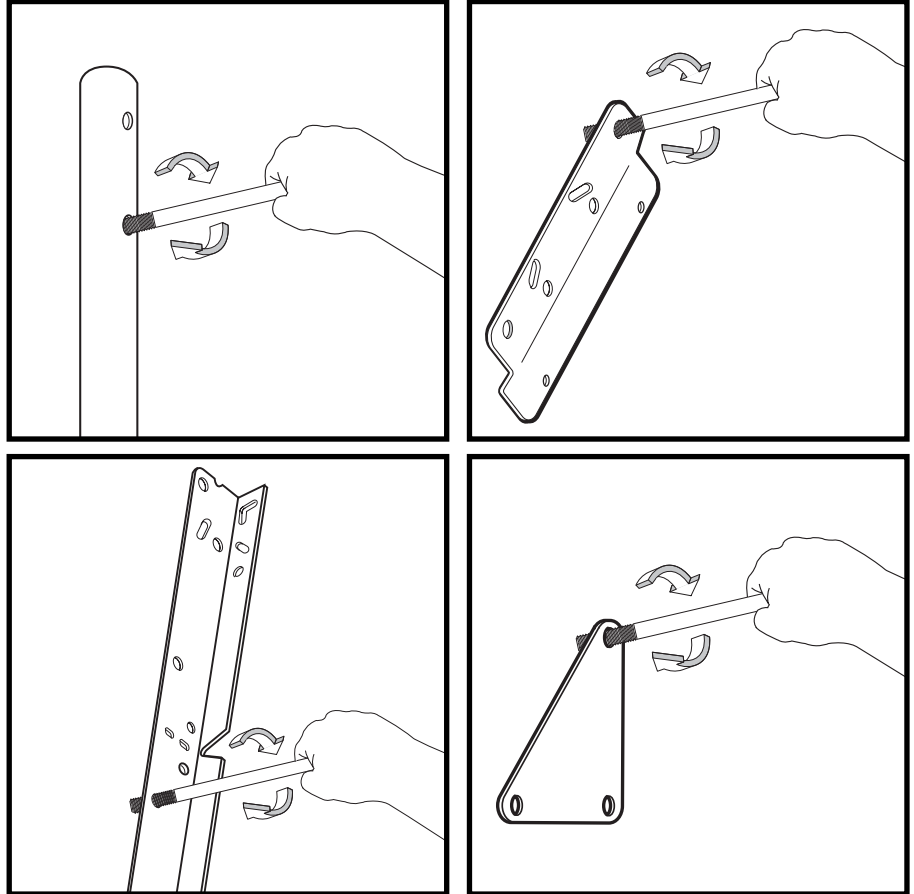
For Canada: 1-800-284-8339,

For Europe: 00 800 555 85234 (Sweden: 009 555 85234),

For Australia: 1800 632 792

Internet Address: www.huffysports.com www.spalding.com

BEFORE YOU START!



To ensure optimal playability of backboard system, a close tolerance fit between the elevator components and hardware is required. Test-fit large bolts into large holes of elevator tubes, backboard brackets, and triangle plates. Carefully rock them in a circular motion to ream out any excess paint from holes if necessary.

NOTE: Not all items pictured are included with every model.



WARNING

Read and understand warnings listed below before using this product.

Failure to follow these warnings may result in serious injury and/or property damage.

Owner must ensure that all players know and follow these rules for safe operation of the system.

- **DO NOT HANG** on the rim or any part of the system including backboard, support braces or net.
- During play, especially when performing dunk type activities, keep player's face away from the backboard, rim and net. Serious injury could occur if teeth/face come in contact with backboard, rim or net.
- Do not slide, climb, shake or play on base and/or pole.
- After assembly is complete, fill system completely with water or sand. Never leave system in an upright position without filling base with weight, as system may tip over causing injuries.
- When adjusting height or moving system, keep hands and fingers away from moving parts.
- Do not allow children to move or adjust system.
- During play, do not wear jewelry (rings, watches, necklaces, etc.). Objects may entangle in net.
- Surface beneath the base must be smooth and free of gravel or other sharp objects. Punctures cause leakage and could cause system to tip over.
- Keep organic material away from pole base. Grass, litter, etc. could cause corrosion and/or deterioration.
- Check pole system for signs of corrosion (rust, pitting, chipping) and repaint with exterior enamel paint. If rust has penetrated through the steel anywhere, replace pole immediately.
- Check system before each use for proper ballast, loose hardware, excessive wear and signs of corrosion and repair before use.
- Check system before each use for instability.
- Do not use system during windy and/or severe weather conditions; system may tip over. Place system in the storage position and/or in an area protected from the wind and free from personal property and/or overhead wires.
- Never play on damaged equipment.
- When moving system, use caution to keep mechanism from shifting.
- Keep pole top covered with cap at all times.
- Do not allow water in tank to freeze. During sub-freezing weather add 2 gallons of non-toxic antifreeze, sand or empty tank completely and store. (Do not use salt.)
- While moving system, do not allow anyone to stand or sit on base or have added ballasting on base.
- Do not leave system unsupervised or play on system when wheels are engaged for moving.
- Use Caution when moving system across uneven surfaces. System may tip over.
- Use extreme caution if placing system on sloped surface. System may tip over more easily.
- See instruction manual for proper installation and

SPALDING
In the U.S.: 1-800-558-5234
In Canada: 1-800-284-8339

HYDRA-RIB
In the U.S.: 1-800-334-9111

RUSSELL
ATHLETIC

SURE SHOT
In the U.S.: 1-888-713-5488

HUFFY SPORTS
In the U.S.: 1-800-558-5234
In Canada: 1-800-284-8339

ID#: 561000 01/06



SAFETY INSTRUCTIONS



FAILURE TO FOLLOW THESE SAFETY INSTRUCTIONS MAY RESULT IN SERIOUS INJURY OR PROPERTY DAMAGE AND WILL VOID WARRANTY.

Owner must ensure that all players know and follow these rules for safe operation of the system.

To ensure safety, do not attempt to assemble this system without following the instructions carefully. Check entire box and inside all packing material for parts and/or additional instruction material. Before beginning assembly, read the instructions and identify parts using the hardware identifier and parts list in this document. Proper and complete assembly, use, and supervision are essential for proper operation and to reduce the risk of accident or injury. A high probability of serious injury exists if this system is not installed, maintained, and operated properly.

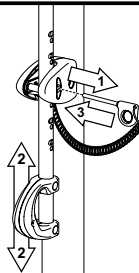
- If using a ladder during assembly, use extreme caution.
- Two (2) capable adults are recommended for this operation.
- Check base regularly for leakage. Slow leaks could cause system to tip over unexpectedly.
- Seat the pole sections properly (if applicable). Failure to do so could allow the pole sections to separate during play and/or transport of the system.
- Climate, corrosion or misuse could result in system failure.
- Minimum operational height is 6' 6" (1.98 m) to the bottom of backboard.
- This equipment is intended for home recreational use only and NOT excessive competitive play.
- Read and understand the warning label affixed to pole. Label is shown to the right.
- The life of your basketball pole depends on many conditions. The climate, placement of the pole, the location of the pole, exposure to corrosives such as pesticides, herbicides or salts are all important.
- If technical assistance is required, contact Customer Service.
- Adult supervision is recommended when adjusting height.

*Most injuries are caused by misuse and/or not following instructions.
Use caution when using this system.*

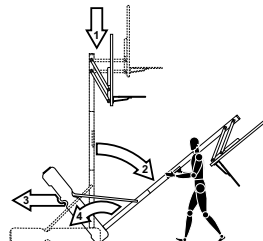
HEIGHT ADJUSTMENT

TO ADJUST BACKBOARD:

1. While holding handle, remove pin.
2. Move elevator up or down to desired height.
3. Replace pin full length to lock system at desired height.



MOVING SYSTEM



1. Adjust basketball backboard height to lowest position.
2. While holding pole, rotate basketball system forward until wheels engage with ground.
3. Move basketball system to desired location.
4. Carefully rotate basketball system upright.
5. Reattach ground restraint and check system for stability.

201252 2/99



Questions or Missing Parts?

DON'T go back to store!

Call TOLL-FREE Customer Service
Number listed on the front page!

NOTICE TO ASSEMBLERS

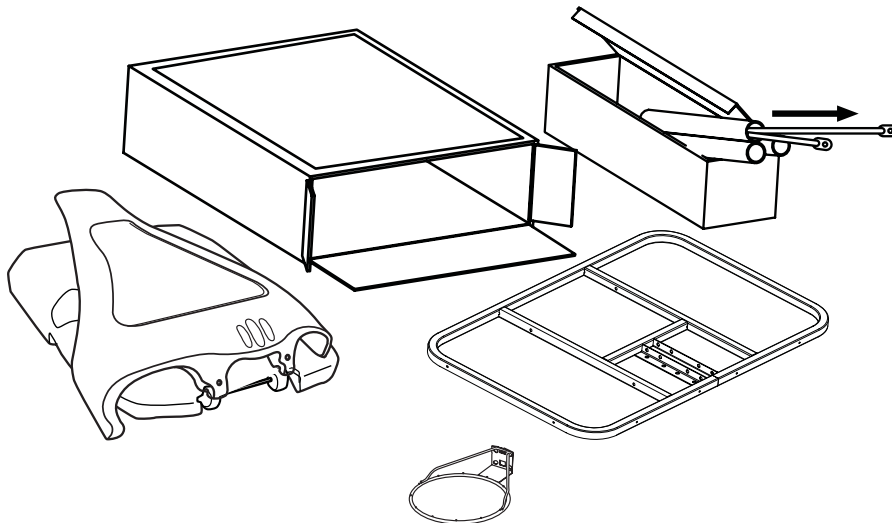
Adult Assembly Required. Dispose of ALL packaging materials promptly. As with all products, periodically inspect for loose small parts.

Assembled unit MUST be filled with sand or water at ALL times.

ALL basketball systems, including those used for DISPLAYS, MUST be assembled and installed according to instructions. Failure to follow instructions could result in SERIOUS INJURY. It is NOT acceptable to devise a makeshift support system.

IMPORTANT!

**Remove all contents from boxes.
Be sure to check inside pole sections;
hardware and additional parts are packed inside.**

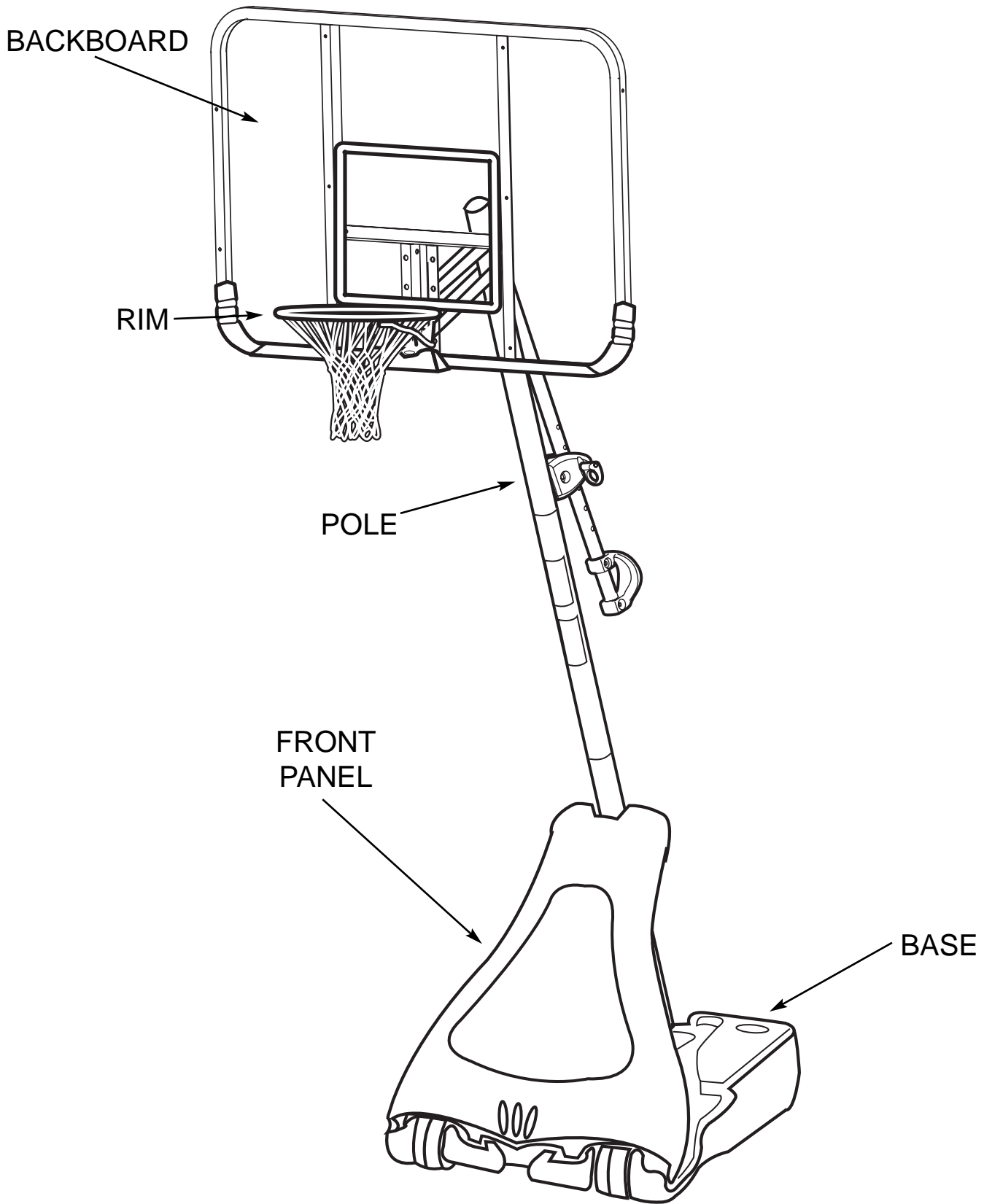


PRODUCT REGISTRATION:

Please remember to complete your product registration form on-line at:

www.huffysports.com/customer_support/product_registration.

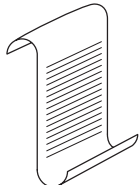
FRONT VIEW





PARTS LIST - (See Hardware Identifier)

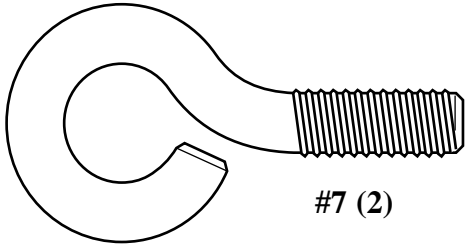
<input checked="" type="checkbox"/> Item	Qty.	Part No.	Description	<input checked="" type="checkbox"/> Item	Qty.	Part No.	Description
<input type="checkbox"/> 1	1	203470	Washer, Flat, 1.5" O.D.	<input type="checkbox"/> 27	2	908256	Bracket, Backboard Support
<input type="checkbox"/> 2	1	80662001	Base Assembly	<input type="checkbox"/> 28	2	200874	Spacer, Steel .402 I.D. x .5 O.D. x 1.5 Long
<input type="checkbox"/> 3	1	804833	Exacta Height Assembly	<input type="checkbox"/> 29	6	206244	Bolt, Hex Head, 1/2-13 x 8 Long
<input type="checkbox"/> 4	1	908006	Top Pole Section	<input type="checkbox"/> 30	4	201642	Spacer, Plastic, .530 I.D. x .625 Long
<input type="checkbox"/> 5	1	90810701	Middle Pole Section	<input type="checkbox"/> 31	7	206340	Lock Nut, Hex Head, 1/2-13
<input type="checkbox"/> 6	1	908142	Bottom Pole Section	<input type="checkbox"/> 32	2	904820	Elevator Tube, Lower - Long
<input type="checkbox"/> 7	2	206934	Large Eyebolt, 3/8"	<input type="checkbox"/> 33	1	204837	Spring, Counter Balance
<input type="checkbox"/> 8	8	203063	Nylon Insert Lock Nut, 3/8-16	<input type="checkbox"/> 34	1		Rim
<input type="checkbox"/> 9	1	206634	Rod, 1/2 x 9-1/2 Long	<input type="checkbox"/> 35	2	904808	Elevator Tube, Upper - Short
<input type="checkbox"/> 10	1	203099	Nut, Ny-lock, 5/16-18	<input type="checkbox"/> 36	2	201682	Spacer, .530 I.D. x 1.875
<input type="checkbox"/> 11	4	201681	Spacer, Plastic .530 I.D. x .88 Long	<input type="checkbox"/> 37	2	900867	Plate, Triangle, (Black)
<input type="checkbox"/> 12	1	202662	Bolt, Hex Head, 5/16-18 x 4-1/2 Long	<input type="checkbox"/> 38	1	207103	Cap, Pole Top
<input type="checkbox"/> 13	2	200341	Nut Cover	<input type="checkbox"/> 39	2*	200520	Screw, #8 x 1/2
<input type="checkbox"/> 14	11*	203100	Hex Flange Nut 5/16-18	<input type="checkbox"/> 40	1	202605	Bolt, Hex, 1/2-13 x 4.25 Long
<input type="checkbox"/> 15	1	204832	Bracket, Pole Mount	<input type="checkbox"/> 41	1	206219	Plug, Tank Cap
<input type="checkbox"/> 16	2	203053	Carriage Bolt, 5/16-18 x 4 Long	<input type="checkbox"/> 42	1	206990	Reinforcement Bracket
<input type="checkbox"/> 17	4	203232	Washer, Metal, 3/4" O.D.	<input type="checkbox"/> 43	1	204290	Net
<input type="checkbox"/> 18	4*	201124	Lock Nut, 3/8-16	<input type="checkbox"/> 44	4*	205528	Bolt, Hex Flange, 5/16-18 x 1 Long
<input type="checkbox"/> 19	4	206360	Bolt, Hex Head, 3/8-16 x 2-5/8 Long	<input type="checkbox"/> 45	6	203309	Washer, .406 I.D. x 1 O.D. Flat
<input type="checkbox"/> 20	2	204858	Spacer, Plastic Biscuit	<input type="checkbox"/> 46	1	511679	Label, Height Adjustment and Moving
<input type="checkbox"/> 21	2	204857	Spacer, Metal 1/2" O.D. x 1.44 Long	<input type="checkbox"/> 47	4	204961	Bolt, Hex Head, 5/16-18 x .625 Long
<input type="checkbox"/> 22	2	204859	Cover, Pin Slide	<input type="checkbox"/> 48	1	900033	Bracket, Slam Jam
<input type="checkbox"/> 23	1	203038	Carriage Bolt, 5/16-18 x 2-3/4 Long	<input type="checkbox"/> 49	1	203796	Bolt, Tee, 3/8-16, 5" Long
<input type="checkbox"/> 24	1	204850	Pin, Locking	<input type="checkbox"/> 50	1	200318	Bracket, Reinforcement, Slam Jam
<input type="checkbox"/> 25	1	204853	Lanyard, Black Coil	<input type="checkbox"/> 51	1	203472	Spring, Rim
<input type="checkbox"/> 26	4	201683	Spacer, .530 I.D. x 1.5 Long	<input type="checkbox"/> 52	1	203795	Nut, Special, 3/8-16

* YOU MAY HAVE EXTRA PARTS WITH THIS MODEL.

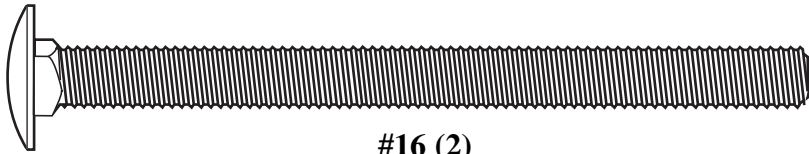
	NOTE:
<p>Hardware kit is designed for more than one style of basketball system. Not all hardware will be used.</p>	

	WARNING!	
<p>IF YOUR SYSTEM IS EQUIPPED WITH AN ACRYLIC BACKBOARD, EXAMINE BACKBOARD FOR ANY DAMAGE THAT MAY HAVE OCCURRED DURING SHIPMENT. CRACKS IN THE BACKBOARD COULD RESULT IN SUDDEN BREAKAGE. IF BACKBOARD IS DAMAGED IN ANY WAY PRIOR TO OR AFTER ASSEMBLY, CALL TOLL-FREE NUMBER:</p>		
<p>U.S. 1-800-558-5234; CANADA: 1-800-284-8339; http://www.huffysports.com</p>		

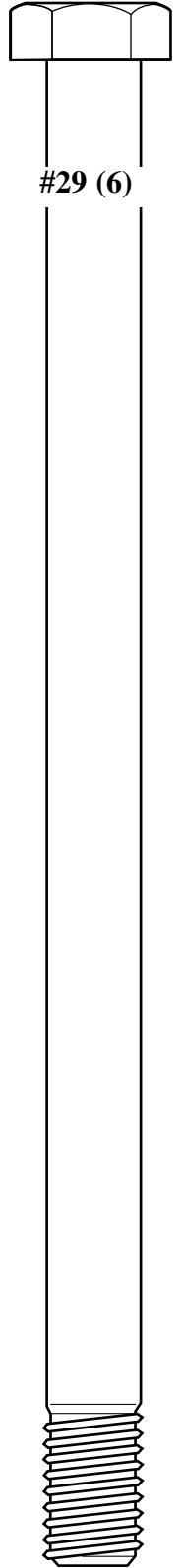
HARDWARE IDENTIFIER (BOLTS & SCREWS)



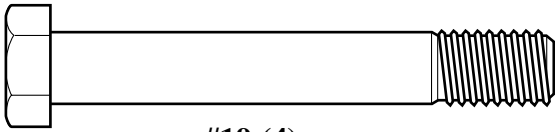
#7 (2)



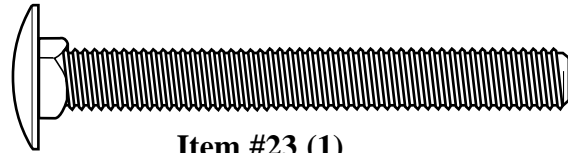
#16 (2)



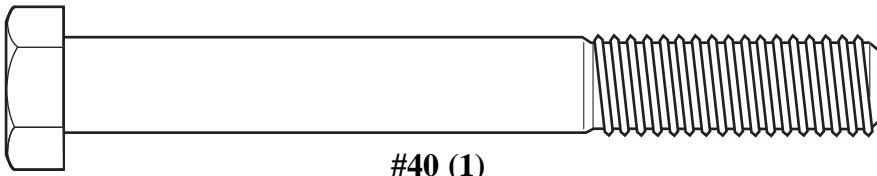
#29 (6)



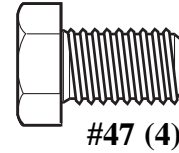
#19 (4)



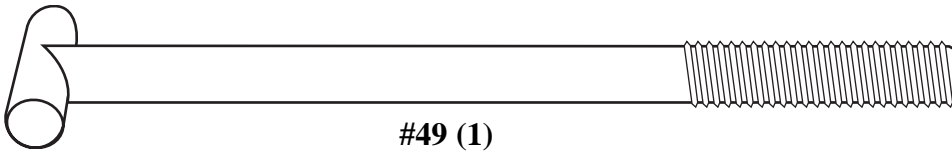
Item #23 (1)



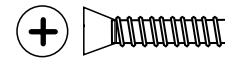
#40 (1)



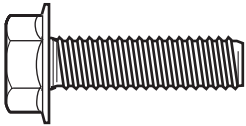
#47 (4)



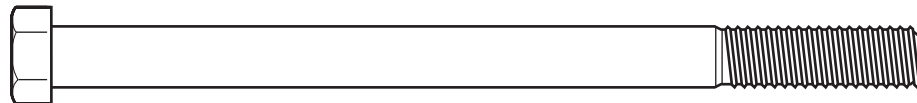
#49 (1)



#39 (2)



#44 (4)*



#12 (1)

HARDWARE IDENTIFIER (STEEL SPACERS)



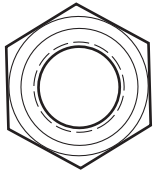
#21 (2)



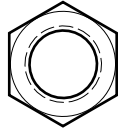
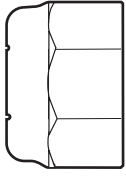
#28 (2)

* You may have extra parts with this model.

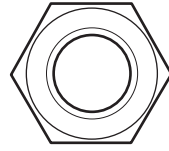
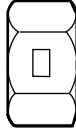
HARDWARE IDENTIFIER (NUTS & WASHERS)



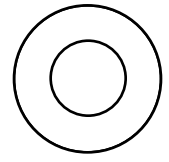
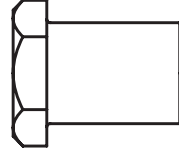
#31 (7)



#18 (4)*



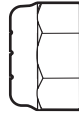
#52 (1)



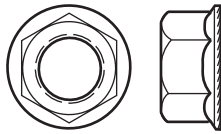
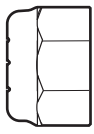
#17 (4)



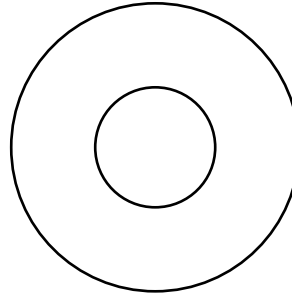
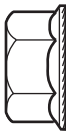
#10 (1)



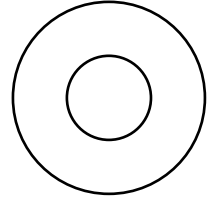
#8 (8)



#14 (11)*

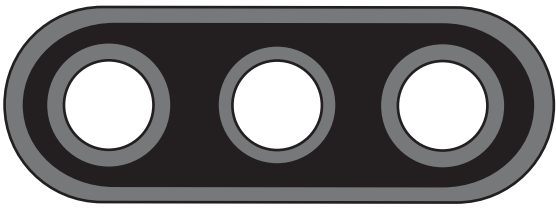


#1 (1)

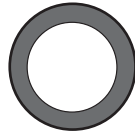


#45 (6)

HARDWARE IDENTIFIER (PLASTIC SPACERS CAPS & CLIPS)



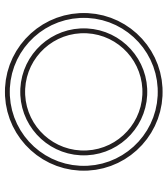
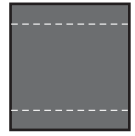
#20 (2)



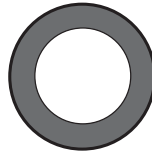
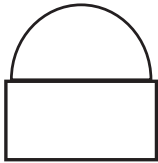
#26 (4)



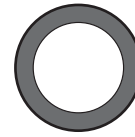
#30 (4)



#13 (2)



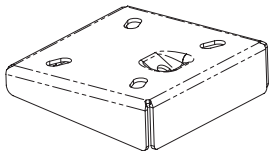
#36 (2)



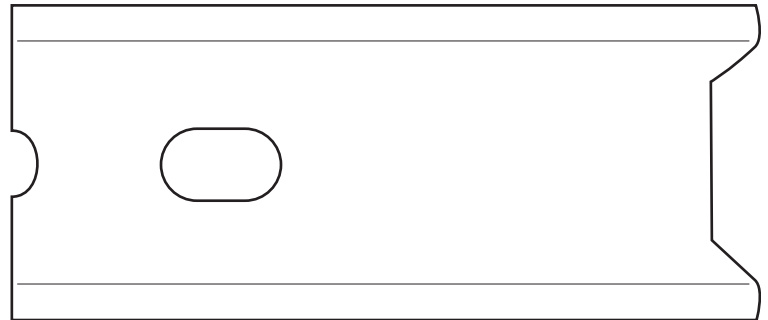
#11(4)*



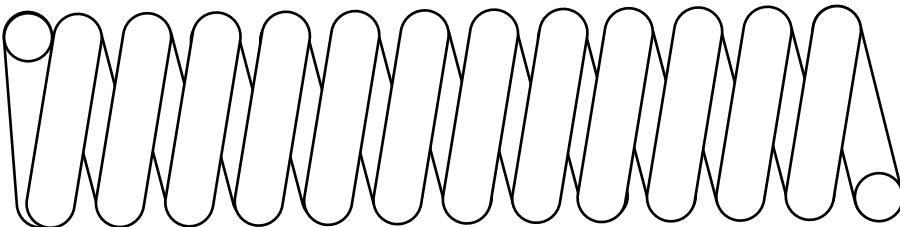
HARDWARE IDENTIFIER (OTHER)



#48 (1)



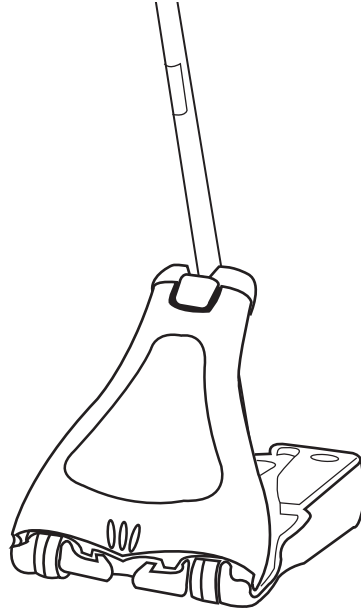
#50 (1)



#51 (1)

SECTION A: ASSEMBLE THE BASE

This is what your system will look like when you've finished this section.



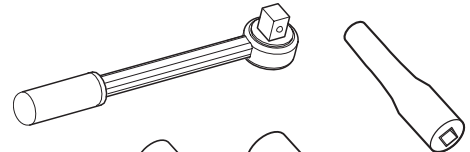
TOOLS REQUIRED FOR THIS SECTION

(2) 1/2" and (2) 9/16" Wrenches



AND/OR

(2) Socket Wrenches and Sockets



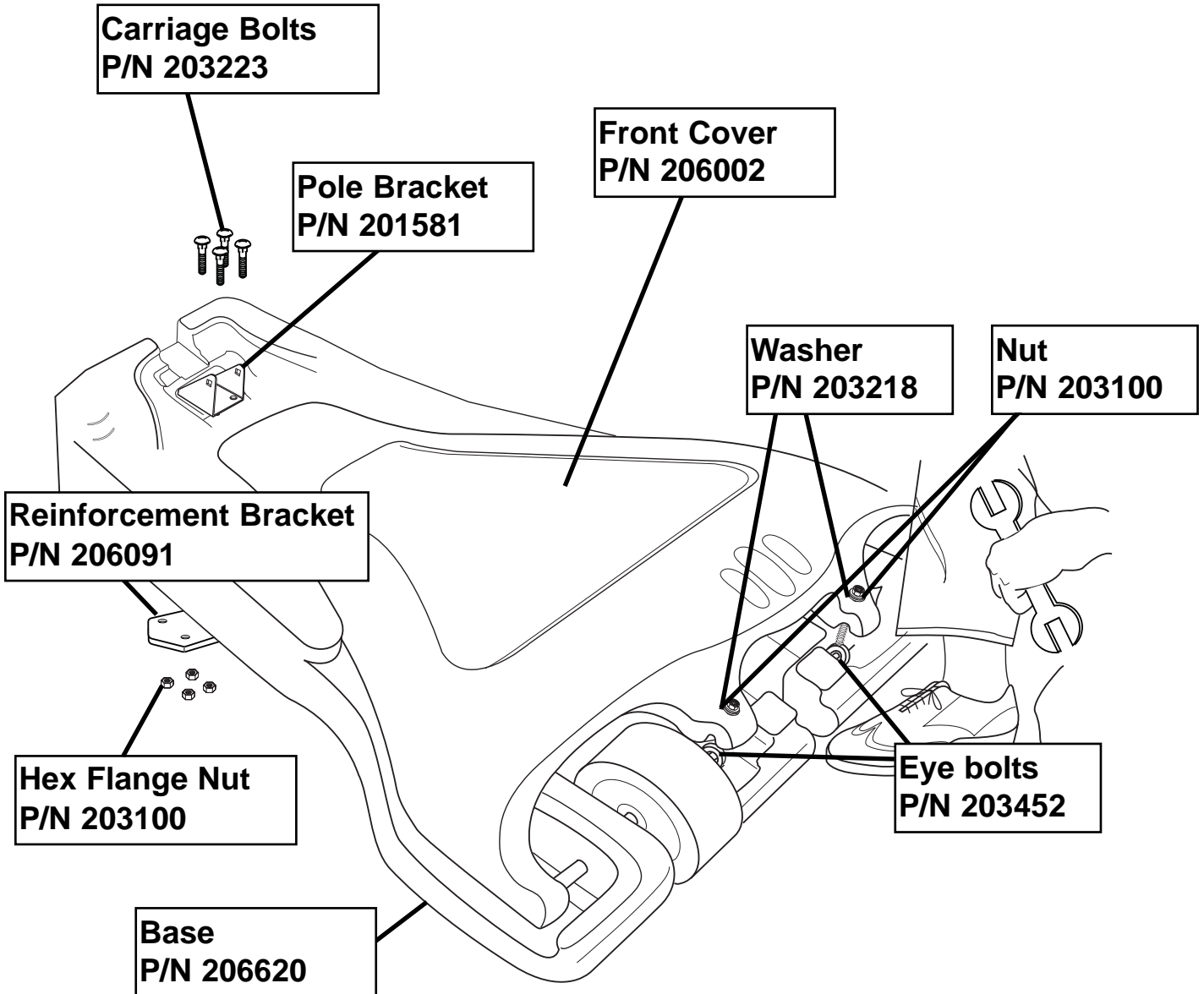
1/2"

9/16"

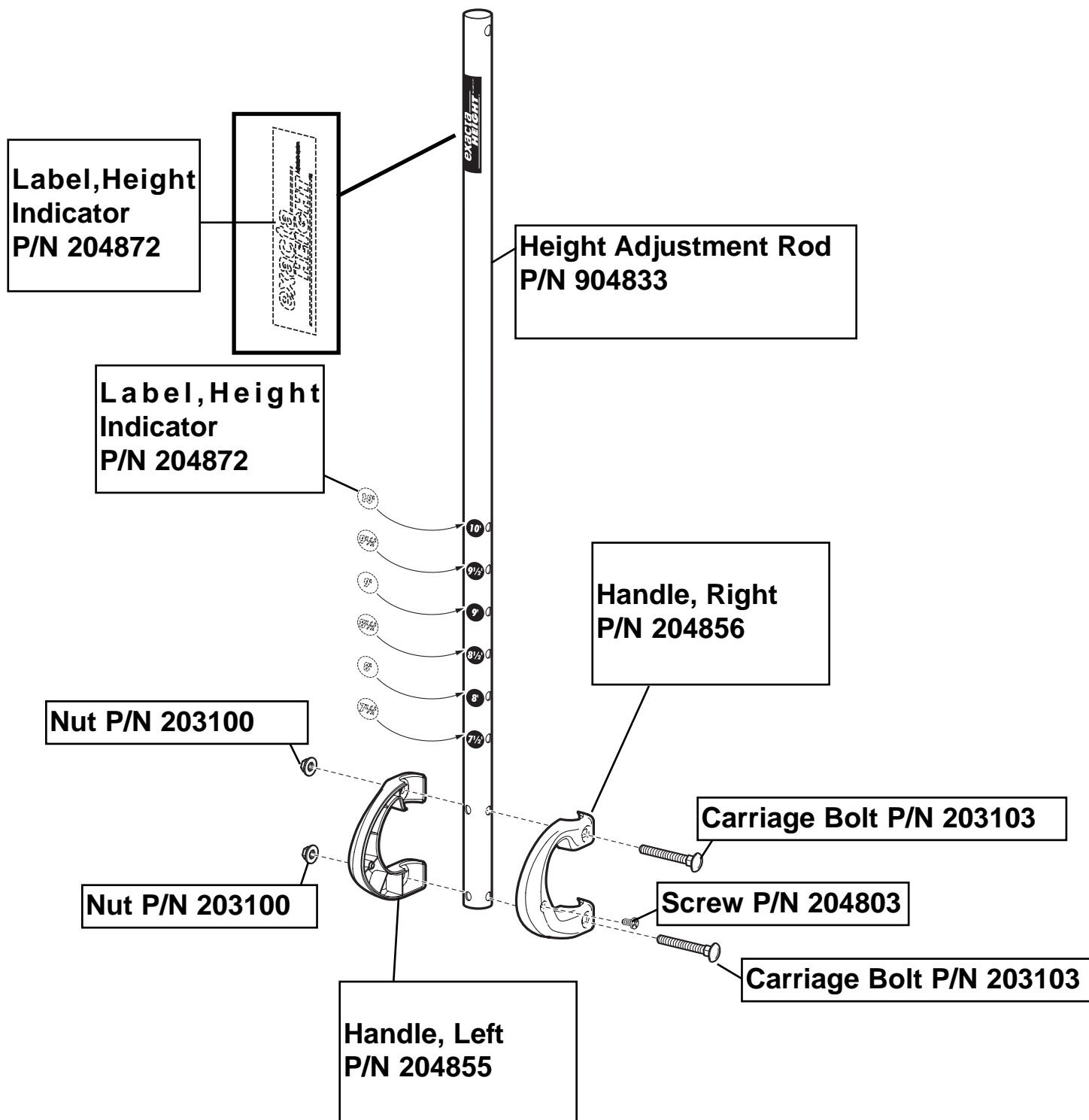
Phillips-Head Screwdriver



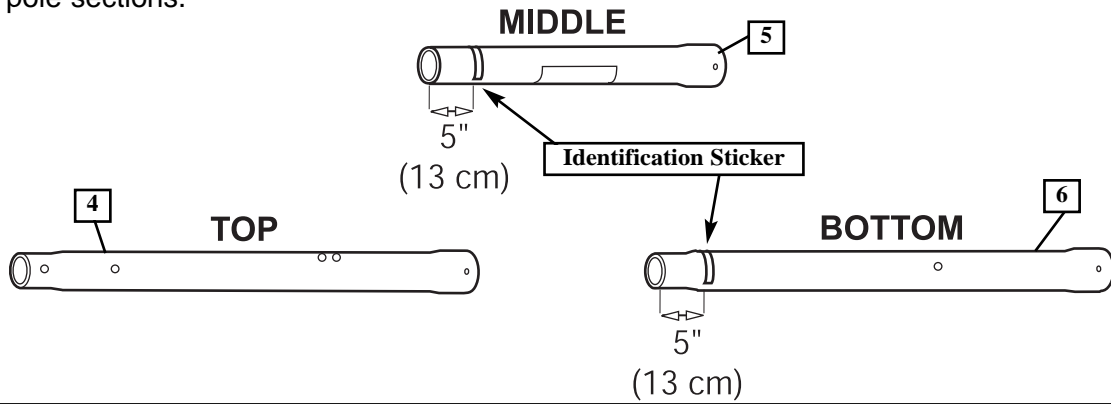
1A. Check the following pre-assembled base areas for tightness: Eye bolts P/N 203452, Washer P/N 203218, Nut P/N 203100, Carriage Bolts P/N 203223.



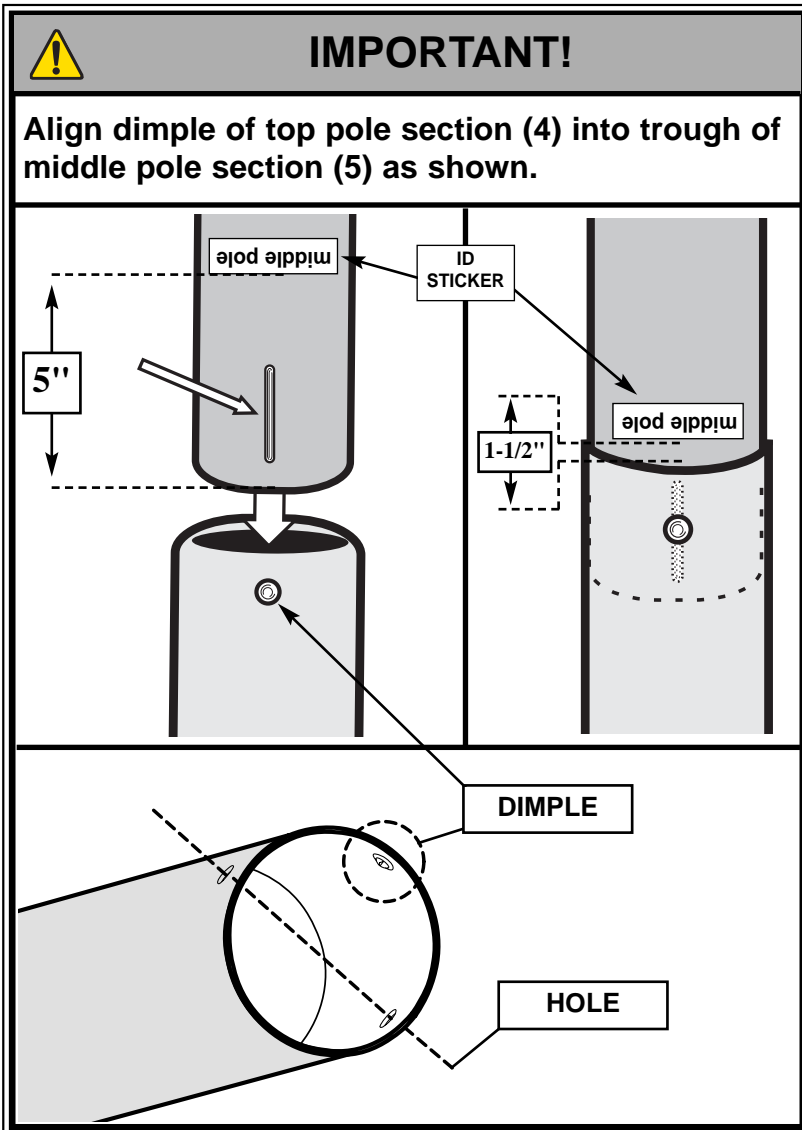
1B. Check the following pre-assembled handle areas for tightness: **Screw P/N 204803, Nut P/N 203100, Carriage Bolts P/N 203103.**



2. Identify pole sections.

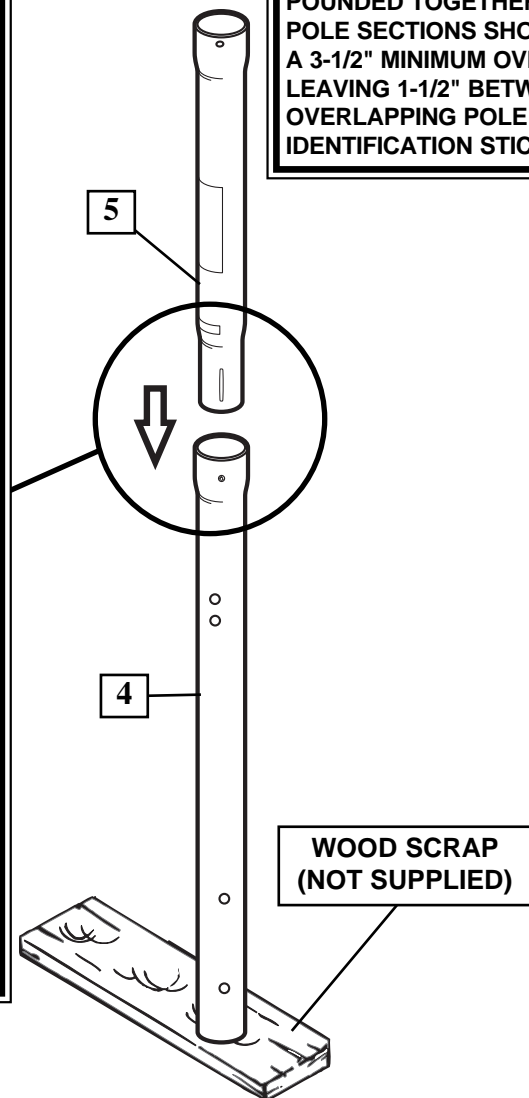


3. While maintaining alignment, bounce middle pole section (5) into top section (4) using a wood scrap as shown until the top pole no longer moves toward the pole identification sticker on the middle pole.



CAUTION!

THE IDENTIFICATION STICKER IS LOCATED 5" FROM THE END OF THE POLE. WHEN PROPERLY POUNDED TOGETHER, THE POLE SECTIONS SHOULD HAVE A 3-1/2" MINIMUM OVERLAP, LEAVING 1-1/2" BETWEEN THE OVERLAPPING POLE AND THE IDENTIFICATION STICKER.

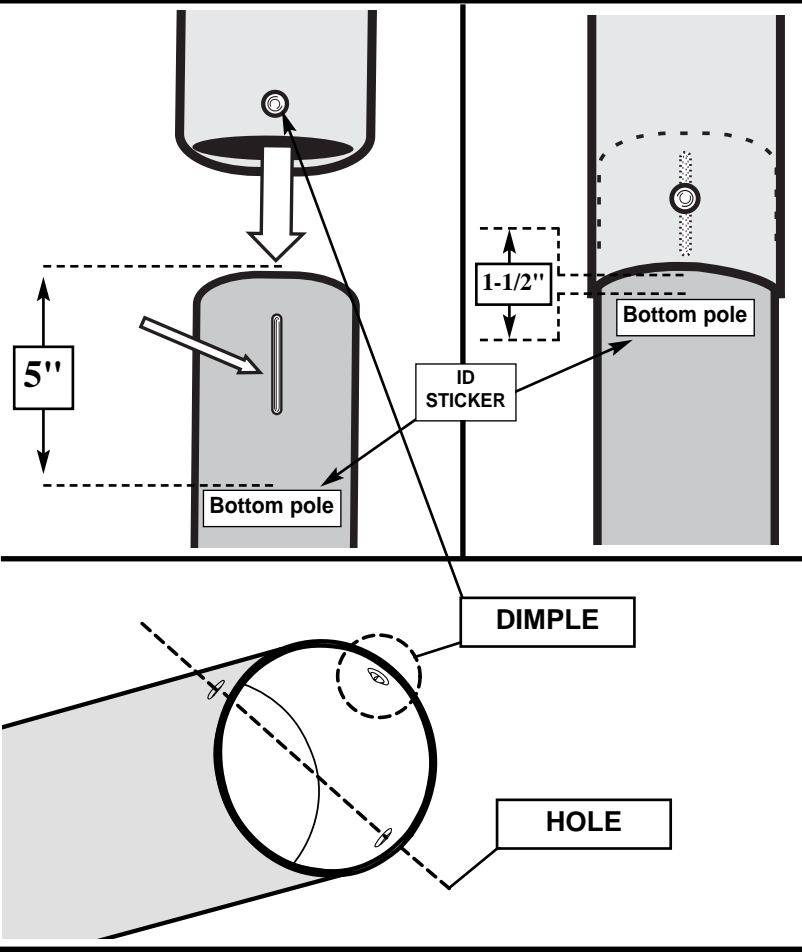


- 4.** Bounce top and middle pole assembly (4 & 5) onto bottom pole section (6) using a wood scrap as shown. Bounce until the top and middle pole assembly no longer moves toward the pole identification mark on the bottom pole.



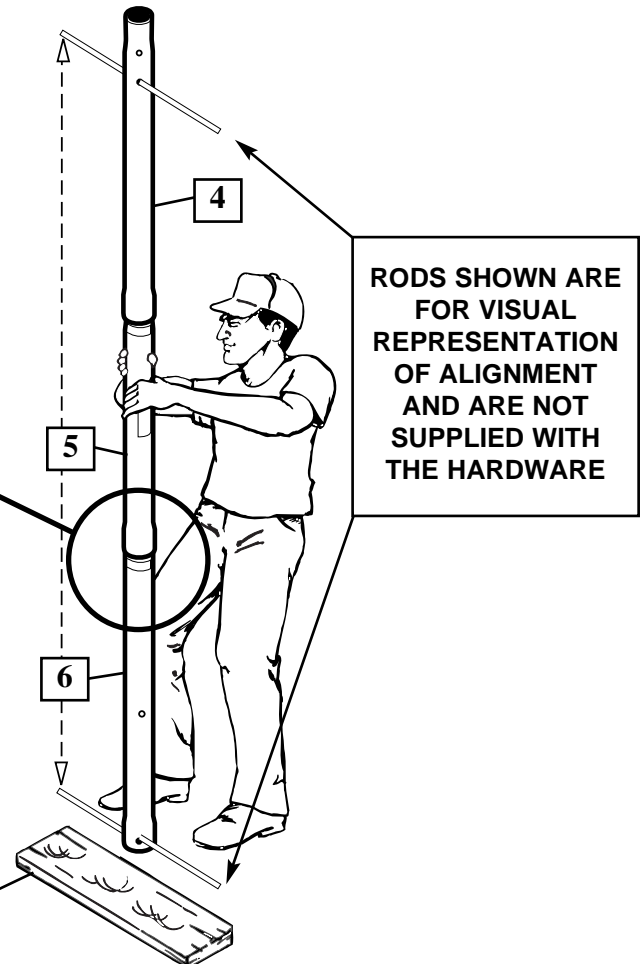
IMPORTANT!

Align dimple of middle pole section (5) into trough of bottom pole section (6) as shown.

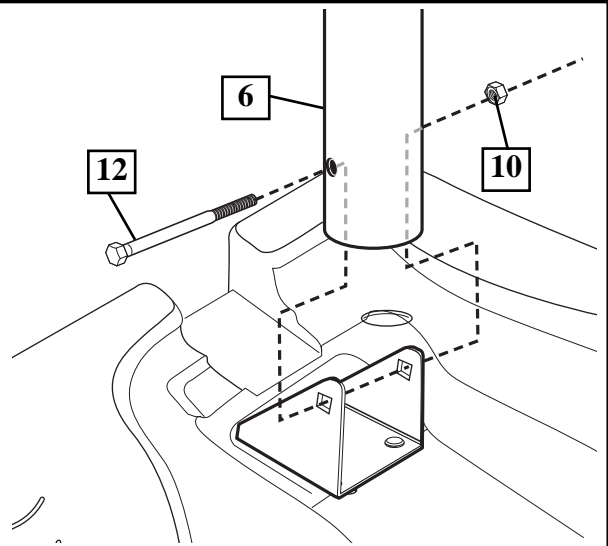


CAUTION!

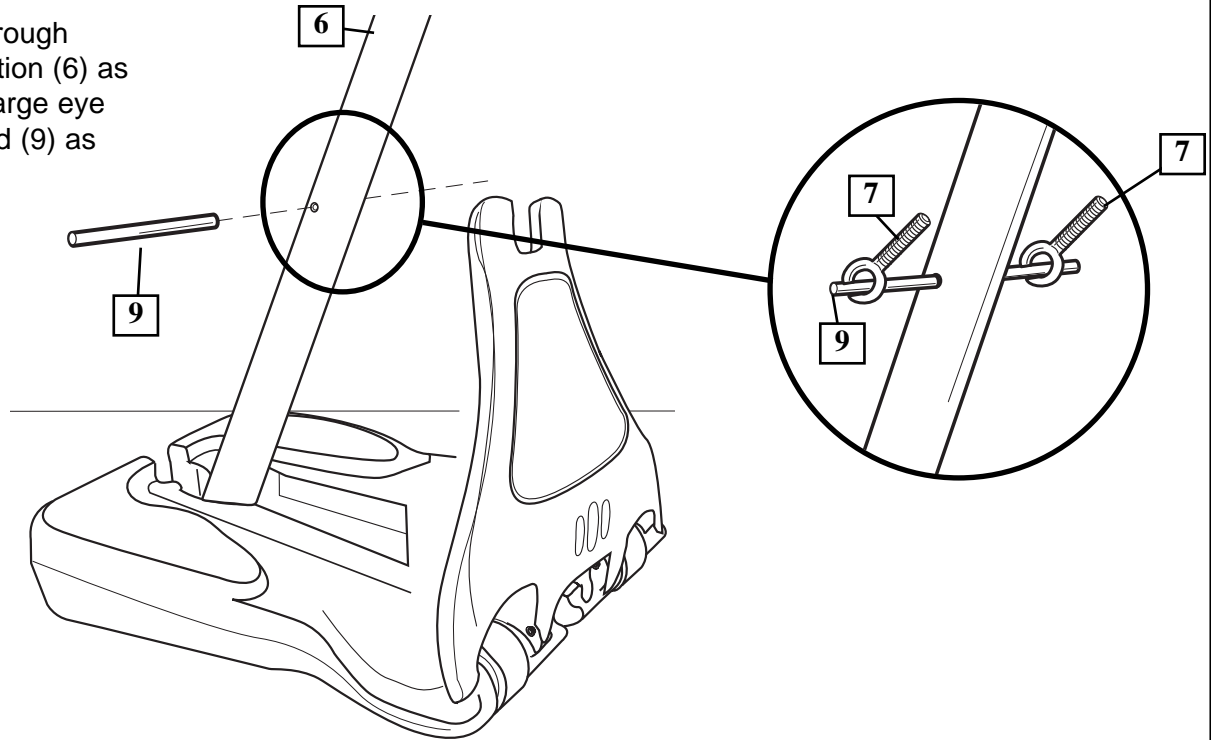
THE IDENTIFICATION STICKER IS LOCATED 5" FROM THE END OF THE POLE. WHEN PROPERLY POUNDED TOGETHER, THE POLE SECTIONS SHOULD HAVE A 3-1/2" MINIMUM OVERLAP, LEAVING 1-1/2" BETWEEN THE OVERLAPPING POLE AND THE IDENTIFICATION STICKER.



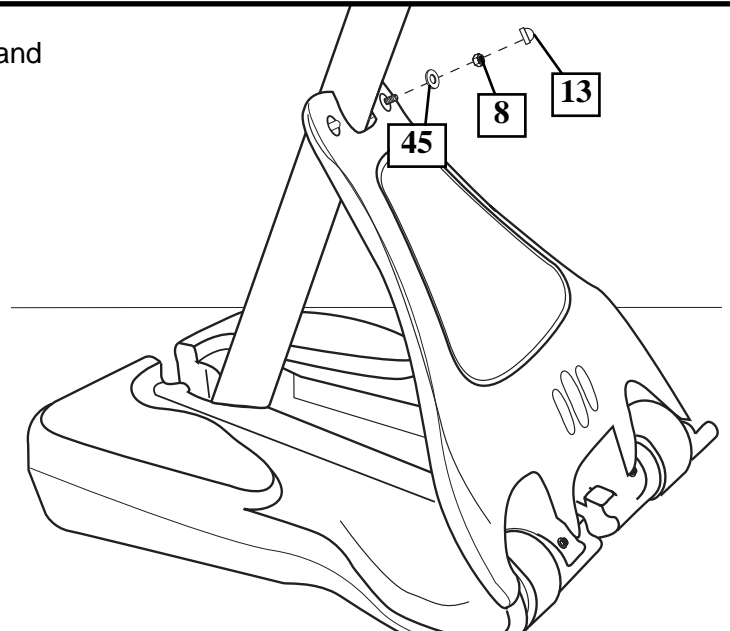
- 5.** Install bolt (12) through bracket and bottom pole section (6) and secure with nut (10) as shown. Nut should be tightened until flush (even) with locknuts outer edge.



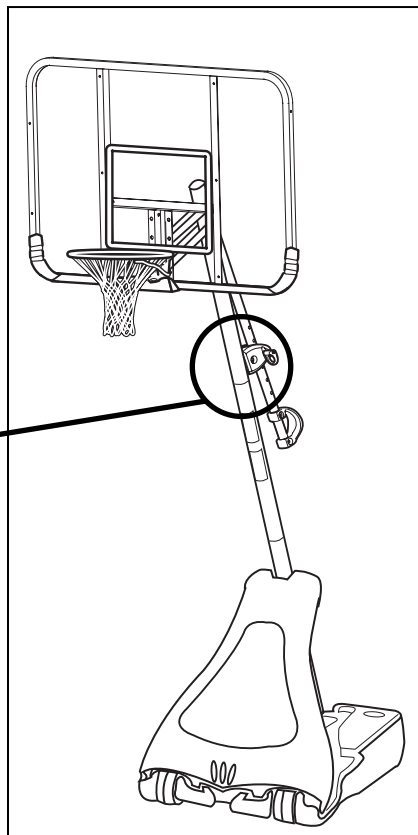
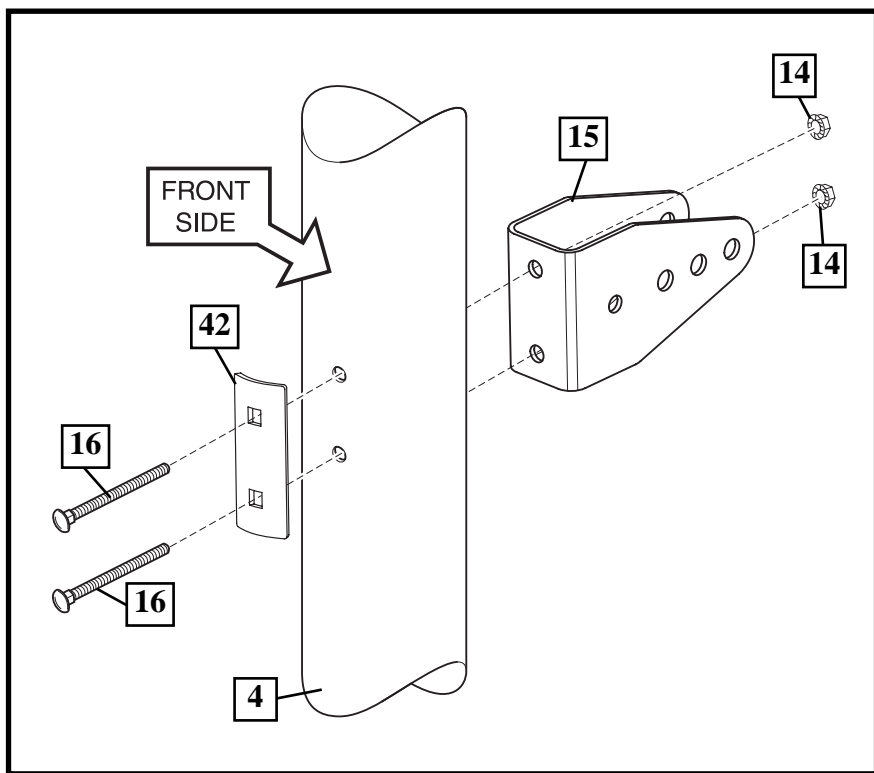
- 6.** Install rod (9) through bottom pole section (6) as shown. Install large eye bolts (7) onto rod (9) as shown.



- 7.** Secure cover to rod (9) using washers (45) nuts (8) and nut covers (13) as shown.

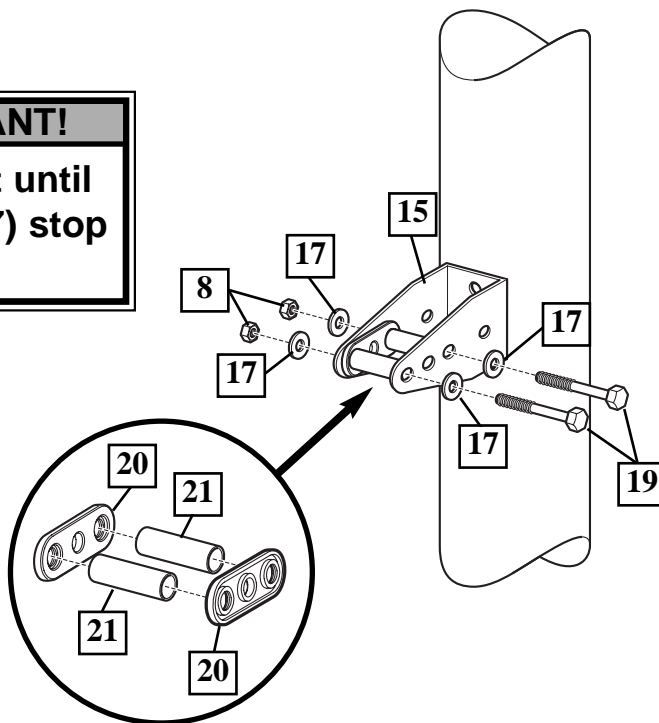


- 8.** Install pole mount bracket (15) and reinforcement bracket (42) with carriage bolts (16) as shown. Tighten flange nuts (14) completely.



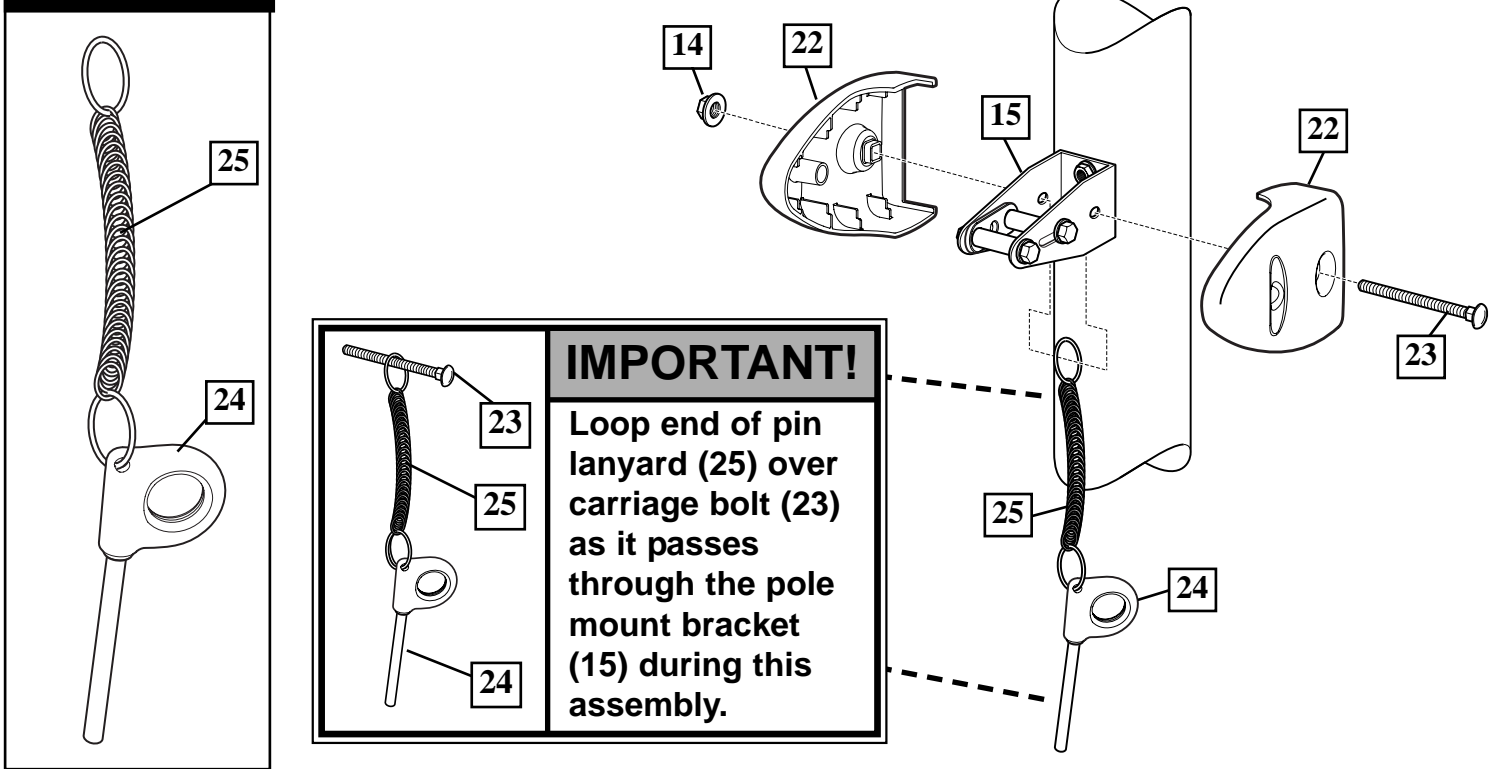
- 9.** Attach spacers (20, 21) to pole mount bracket (15) with bolts (19), washers (17), and nuts (8) as shown.

	IMPORTANT!
	Tighten just until washers (17) stop moving.

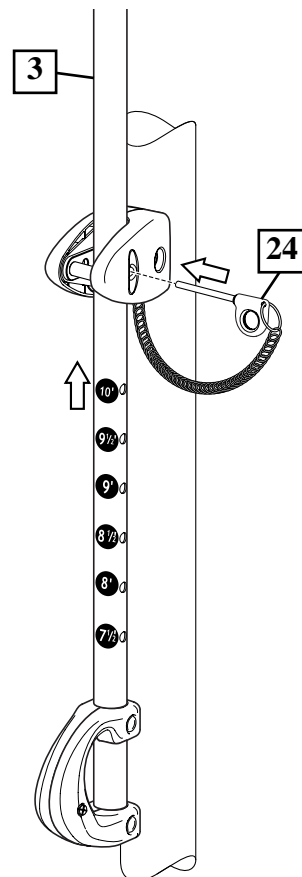


- 10.** Assemble lanyard (25) to locking pin (24) as shown (FIG A). Attach covers (22) onto pole mount bracket (15) with carriage bolt (23) and nut (14) as shown.

FIG. A

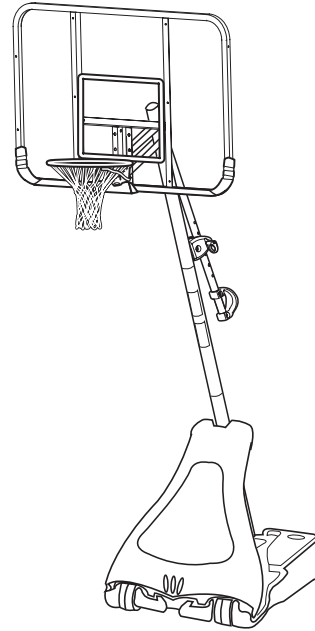


- 11.** Insert handle assembly (3) through pole mount assembly as shown. Lock pole assembly in place at the 10' (3.05 m) mark with pin (24).



SECTION B: ATTACH THE BACKBOARD

This is what your system will look like when you've finished this section.



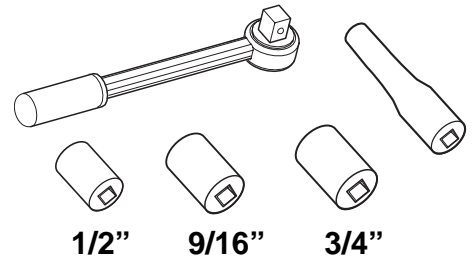
TOOLS REQUIRED FOR THIS SECTION

(2) 1/2", (2) 9/16", and (2) 3/4" Wrenches

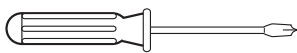


AND/OR

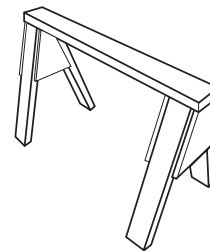
(2) Socket Wrenches and Sockets



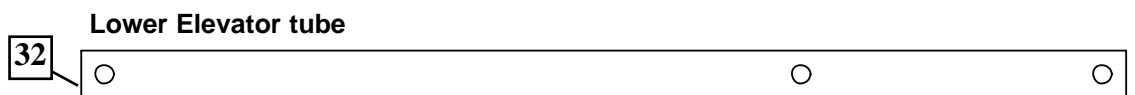
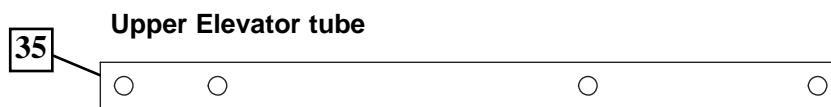
Phillips-Head Screwdriver



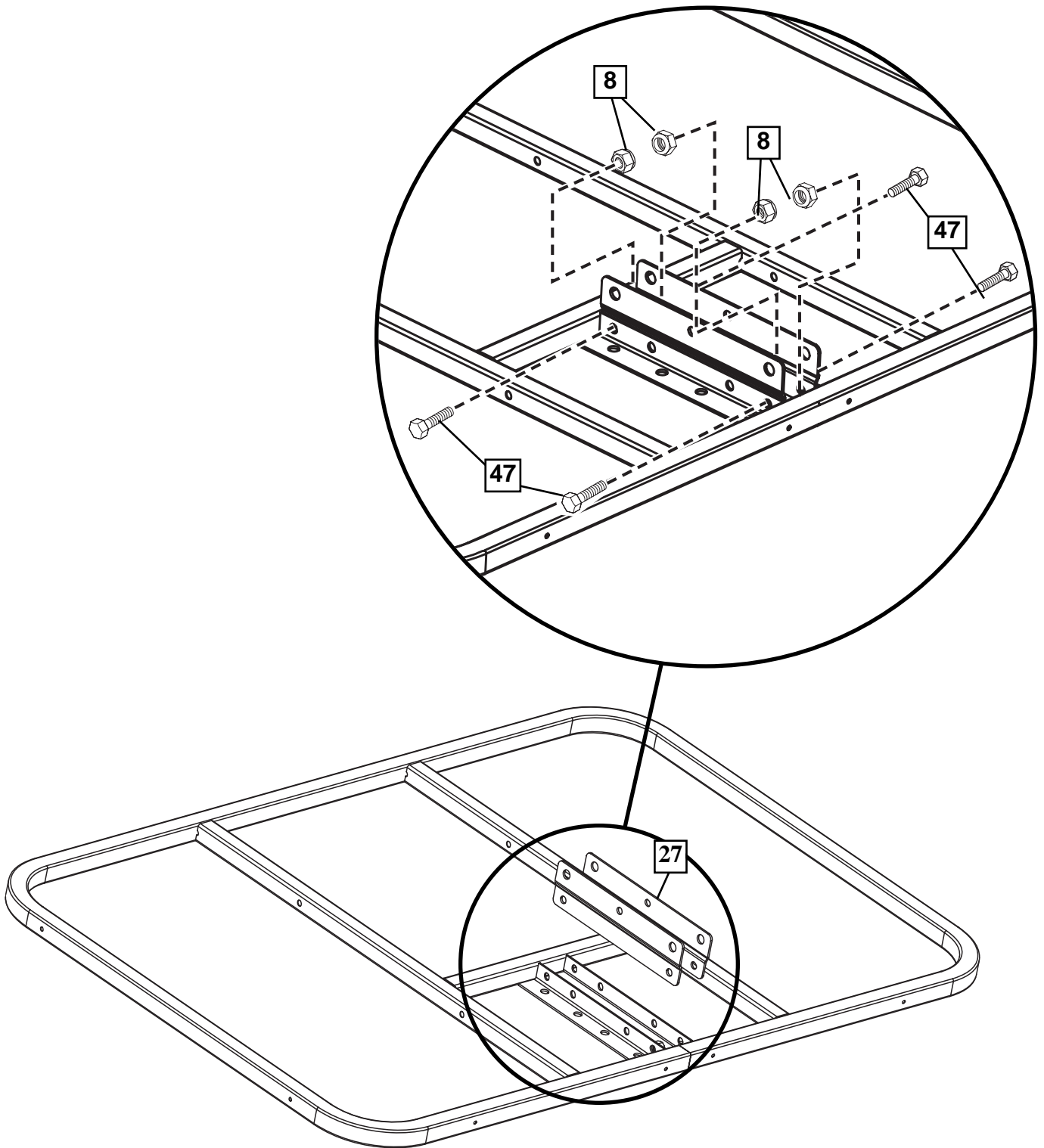
Sawhorse or Support Table



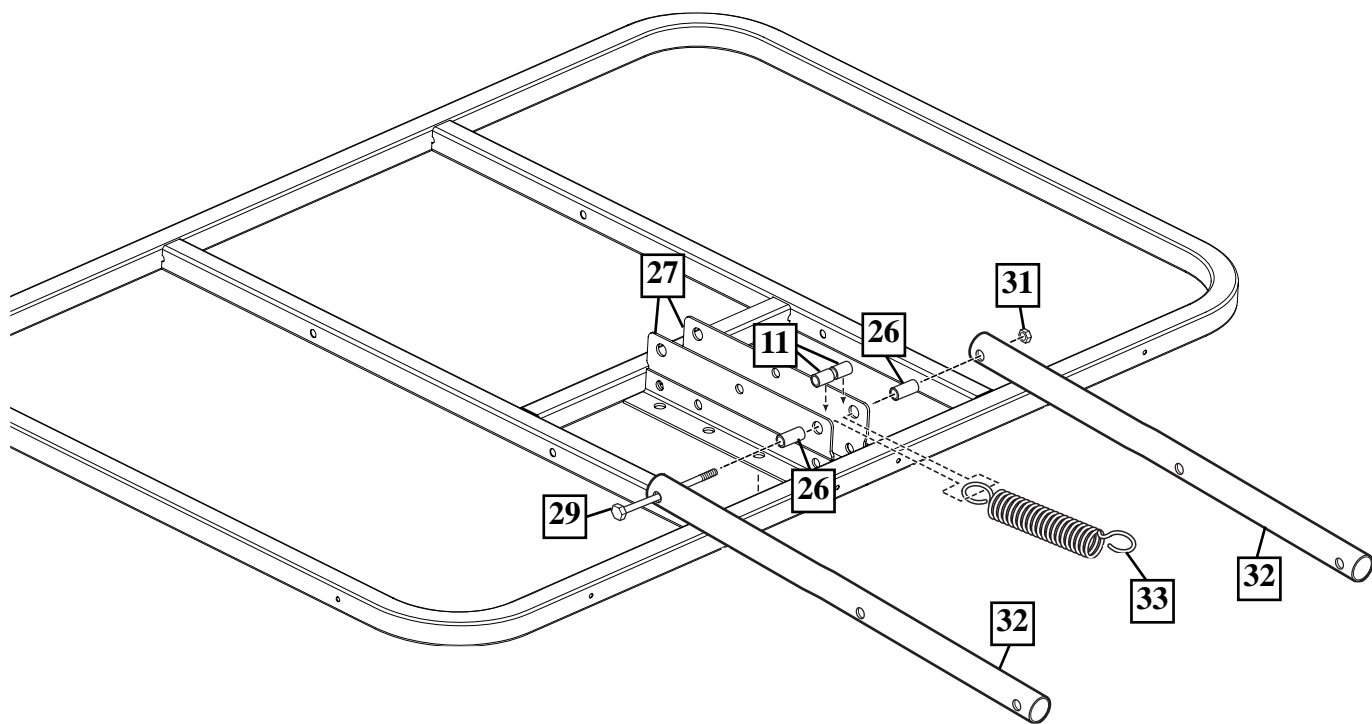
Identify elevator tubes.



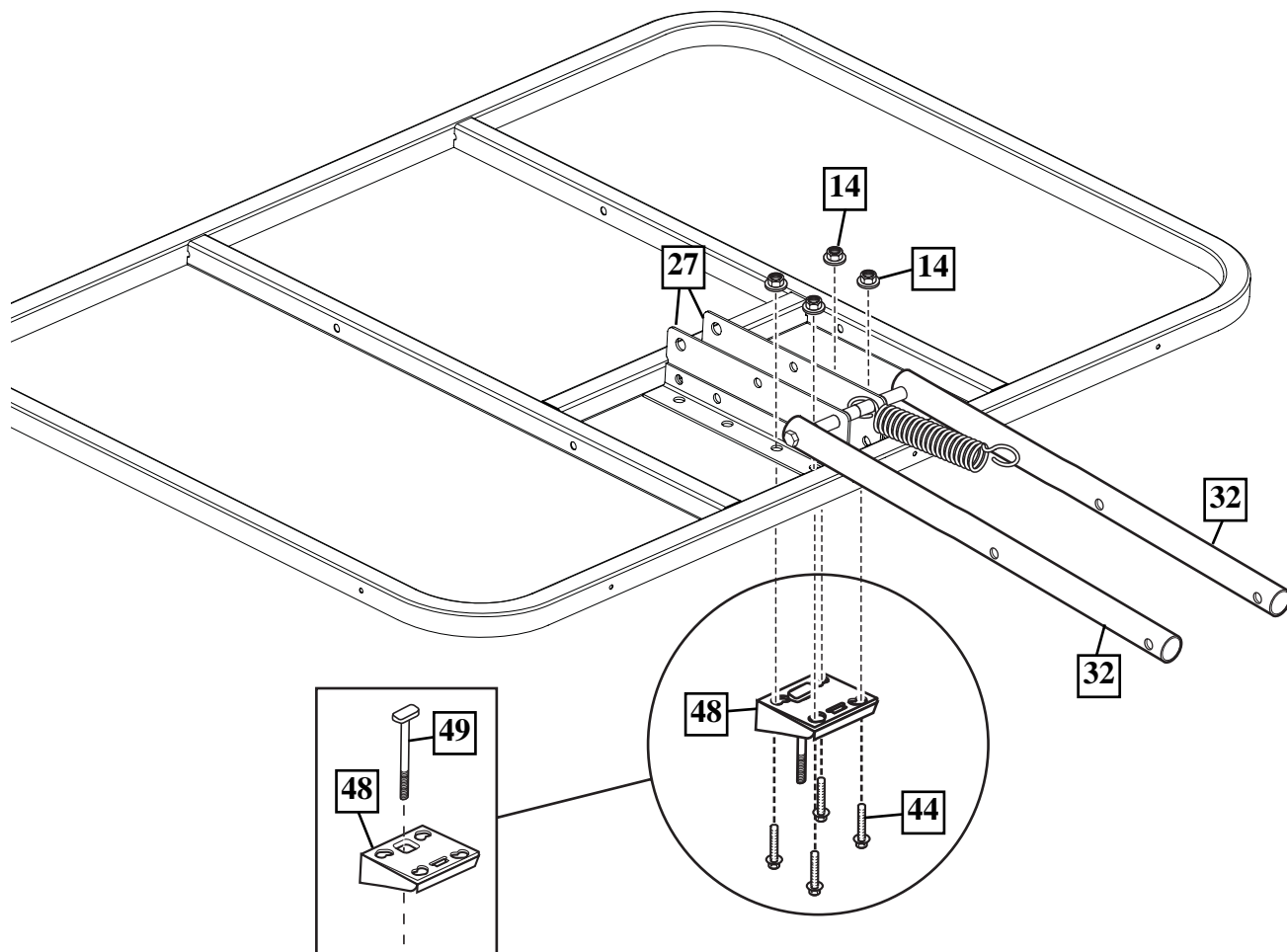
1. Assemble backboard brackets (27) using bolts (47), and nuts (8) as shown.



- 2.** Attach lower elevator tubes (32) and counter balance spring (33) to backboard support brackets (27) using spacers (11, 26), bolt (29), and nut (31) as shown.

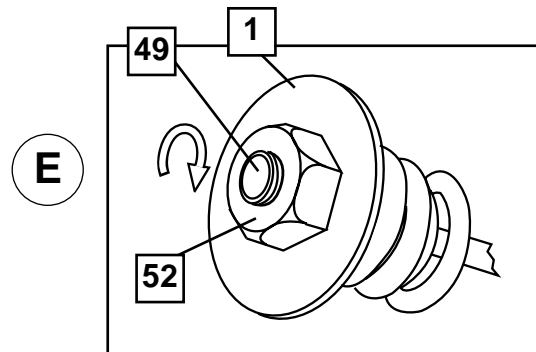
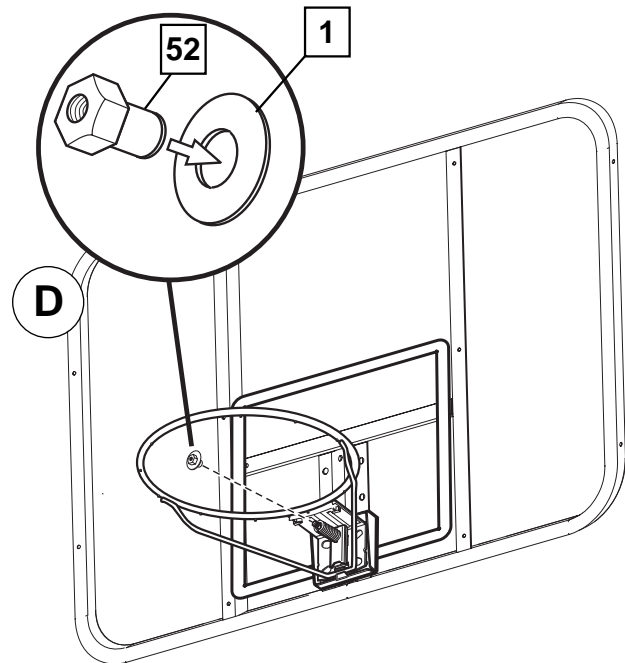
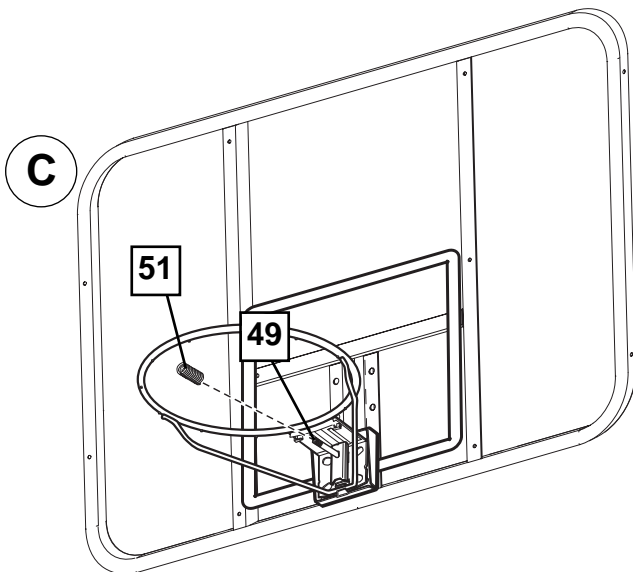
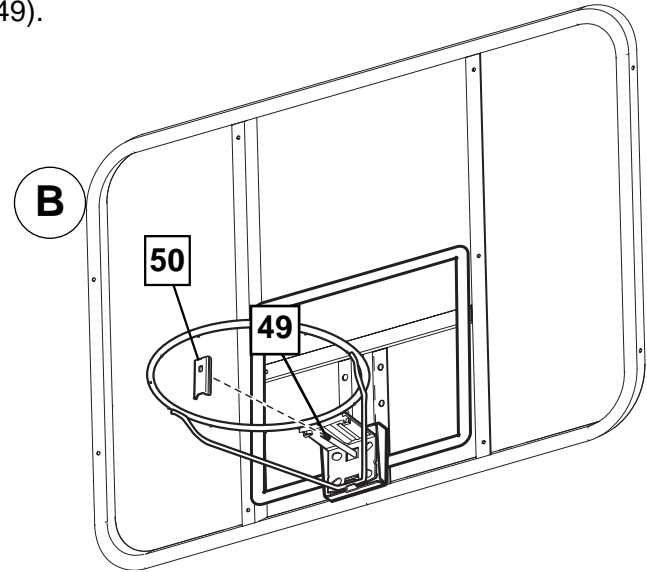
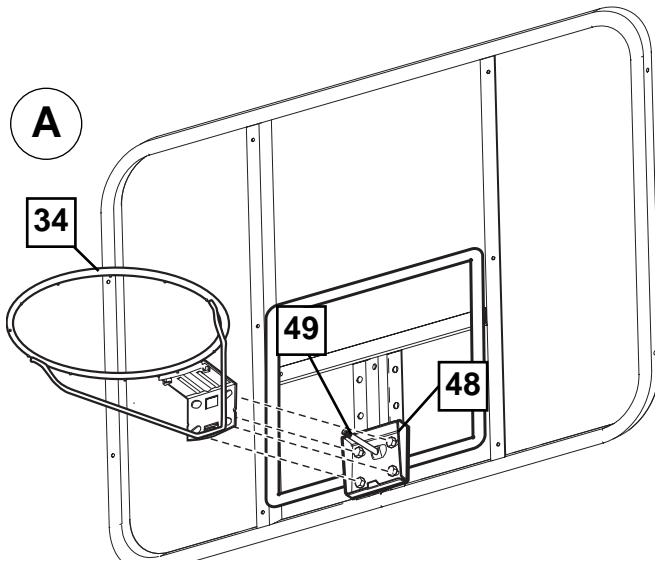


- 3.** Insert T-bolt (49) into rim bracket (48) then, attach that assembly to board using bolts (44) and nuts (14)

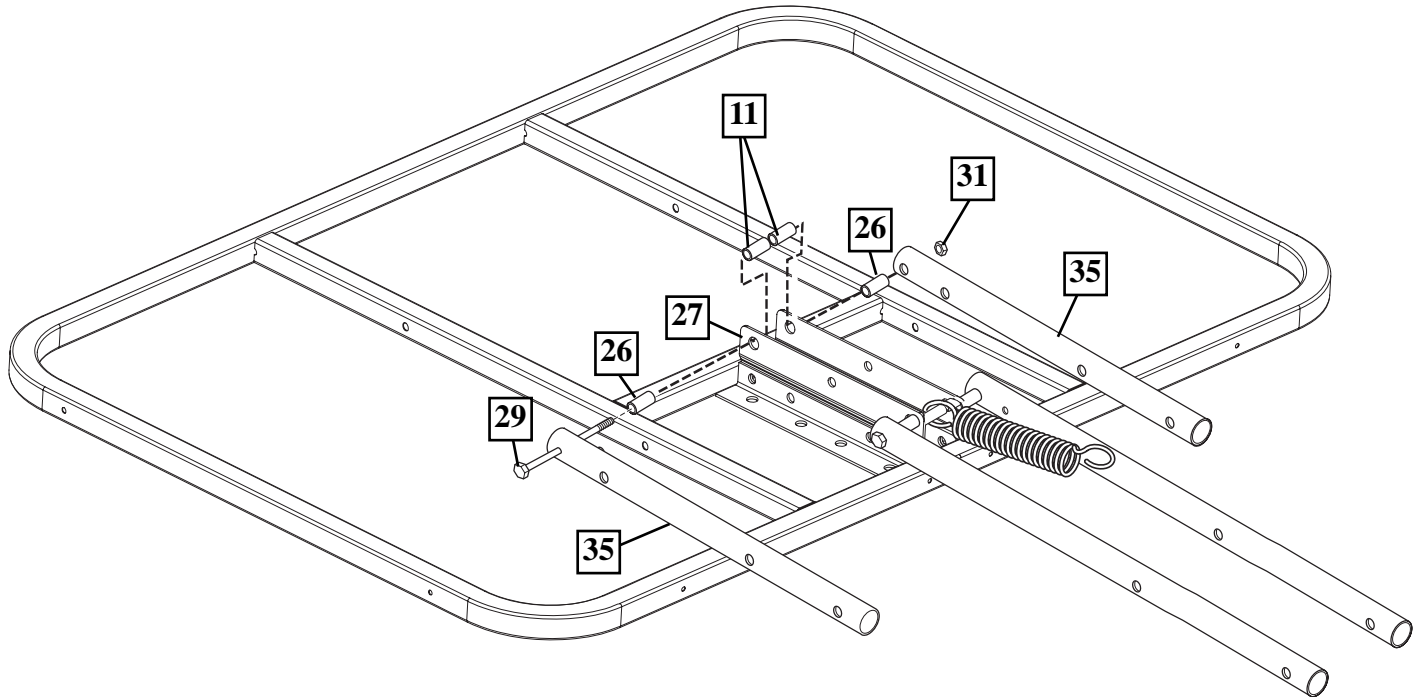


4.**Install Slam Jam Rim to Backboard**



- A Fit rim (34) securely into bracket (48) as shown. Allow T-bolt (49) to slip through center hole in rim (34).
- B Install reinforcement bracket (50) onto T-bolt (49) as shown.
- C Install spring (51) onto T-bolt (49) as shown.
- D Install special nut (52) and washer (1) onto T-bolt (49).
- E Tighten nut (52) until flush with end of T-bolt (49).



5. Attach upper elevator tubes (35) to backboard support brackets (27) using spacers (26 & 11), bolt (29), and nut (31) as shown.

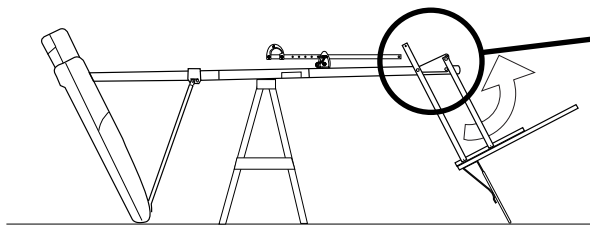
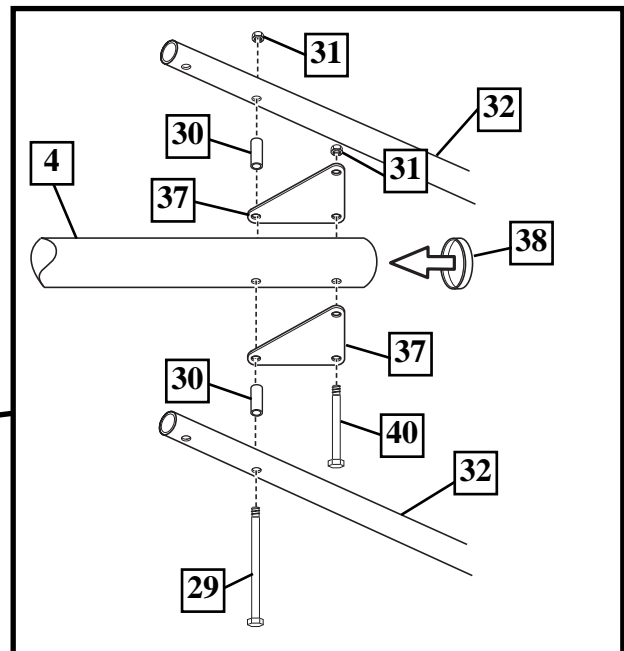


6. Support pole on sawhorse. Attach backboard assembly to top pole section (4) as shown. Install pole cap (38). Use caution; elevator assembly is heavy.

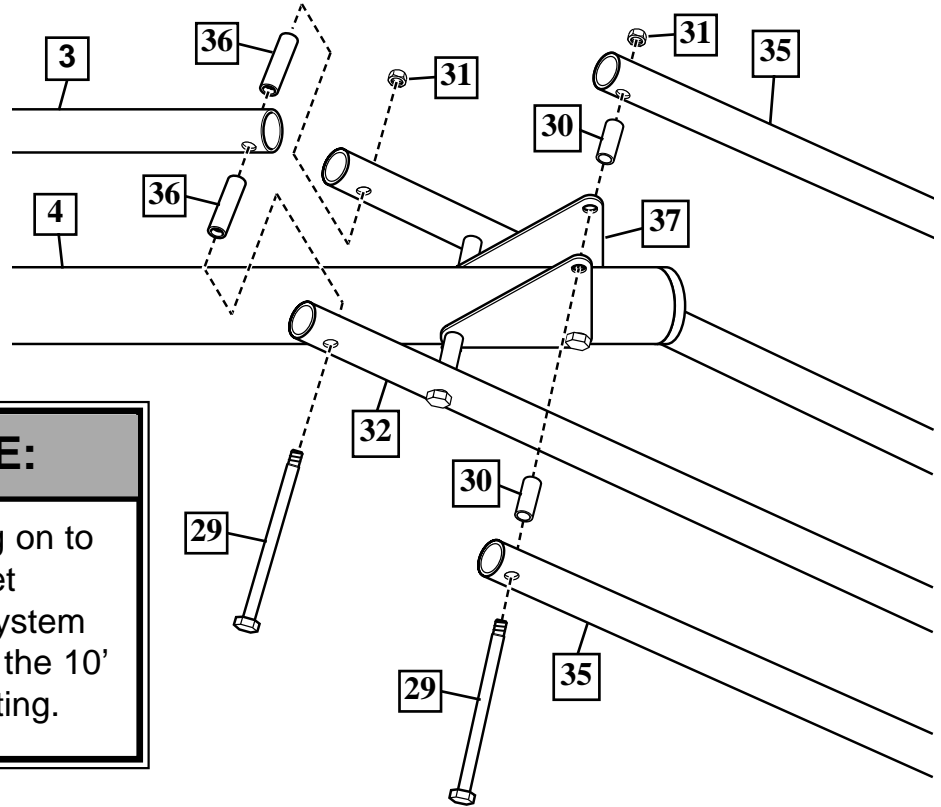
WARNING!  

USE CAUTION; ASSEMBLY IS HEAVY.

TWO CAPABLE ADULTS REQUIRED FOR THIS PROCEDURE. FAILURE TO FOLLOW THIS WARNING COULD RESULT IN SERIOUS INJURY AND/OR PROPERTY DAMAGE.

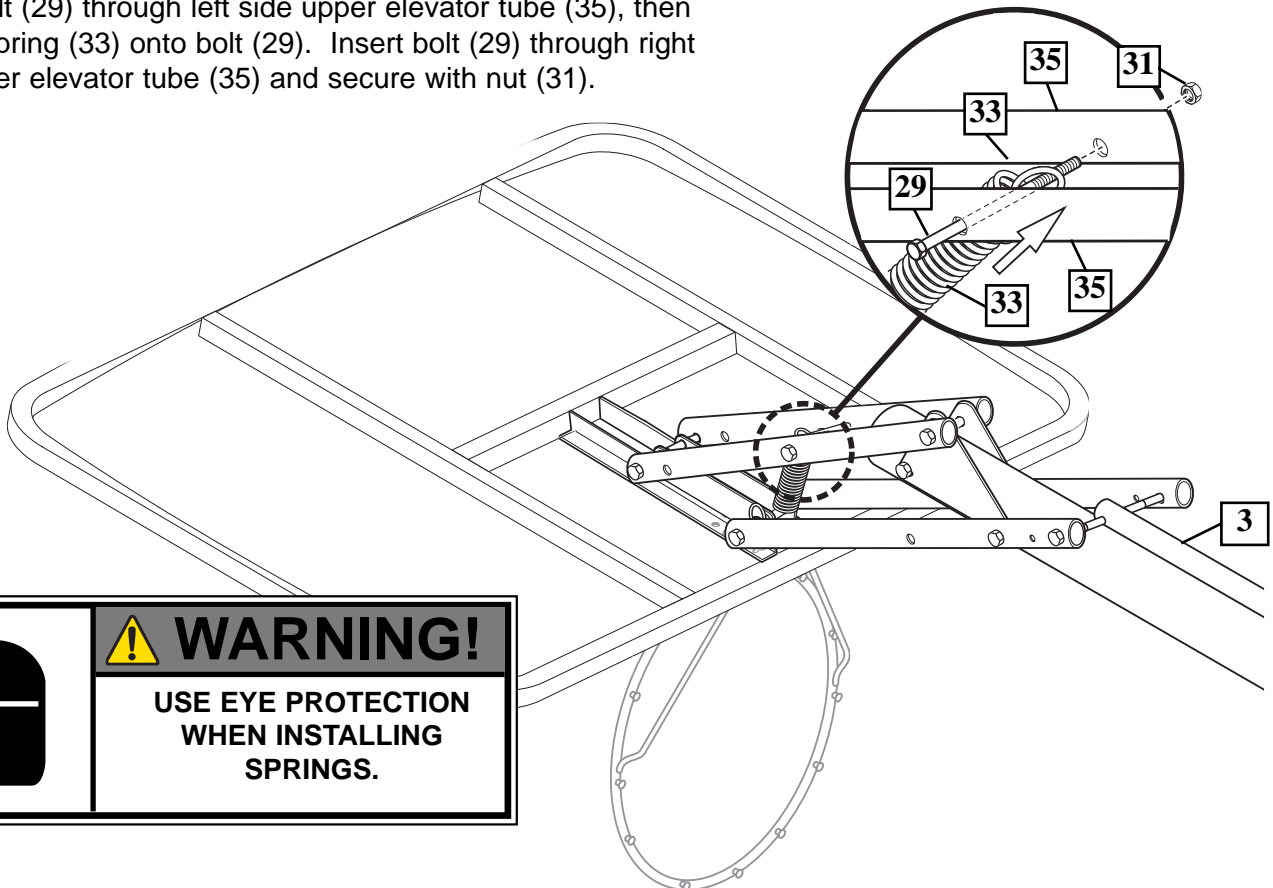


- 7.** Install upper elevator tubes (35) to triangle plates (37) as shown. Install handle assembly (3) to lower elevator tubes (32) using bolt (29), spacers (36), and nut (31) as shown.



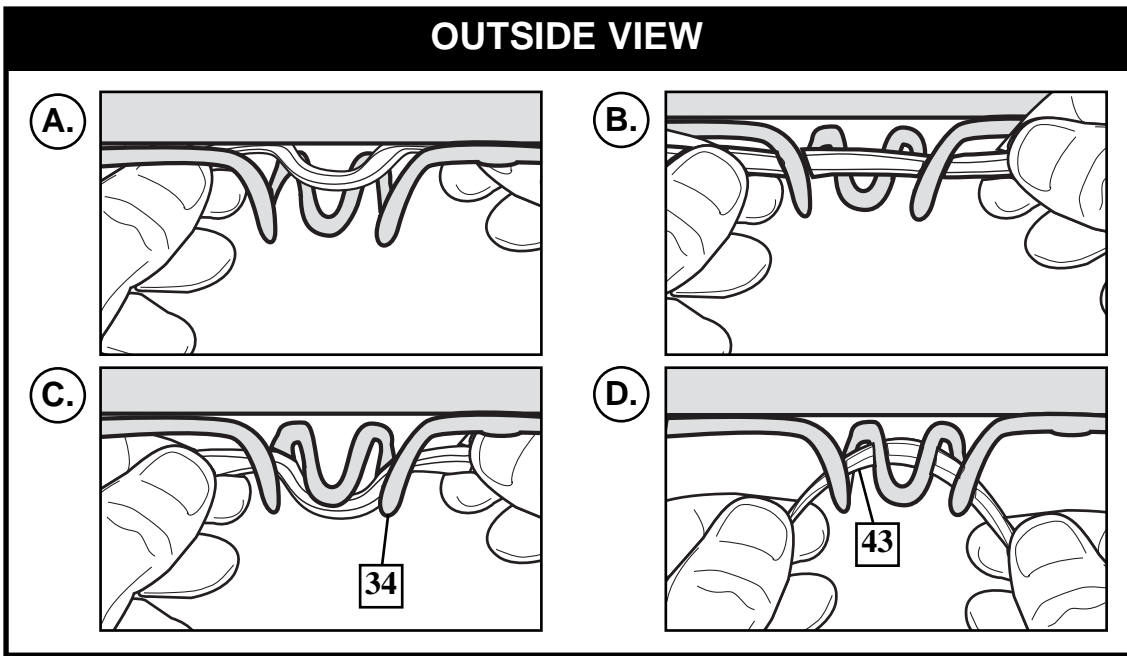
	<p>NOTE:</p> <p>Before going on to next step, set adjustable system assembly to the 10' (3.05 m) setting.</p>
--	--

- 8.** Insert bolt (29) through left side upper elevator tube (35), then stretch spring (33) onto bolt (29). Insert bolt (29) through right side upper elevator tube (35) and secure with nut (31).

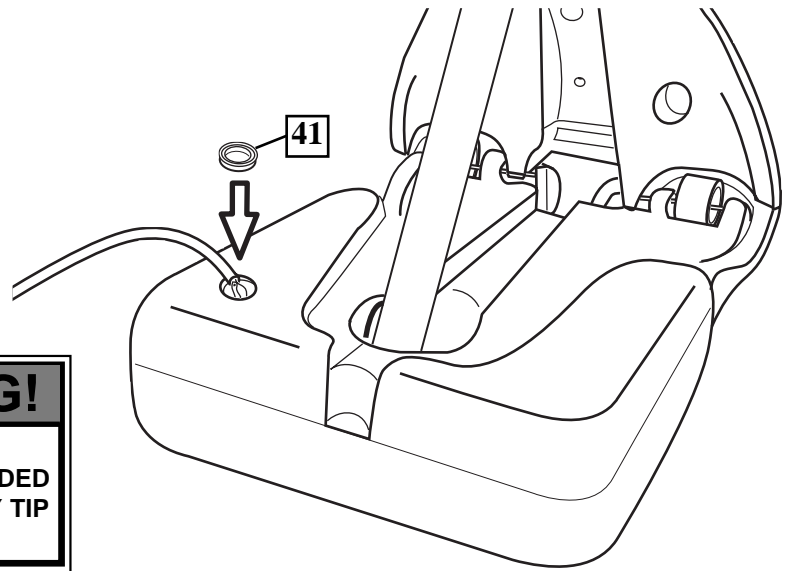


	<p>WARNING!</p> <p>USE EYE PROTECTION WHEN INSTALLING SPRINGS.</p>
--	---

9. Install net (43) as shown.



10. Roll completed assembly to desired position. Fill tank with water (approx. 34 gallons (129 Liters)) or sand (approx. 280 lbs. (128 kg)) and snap cap (41) in place.



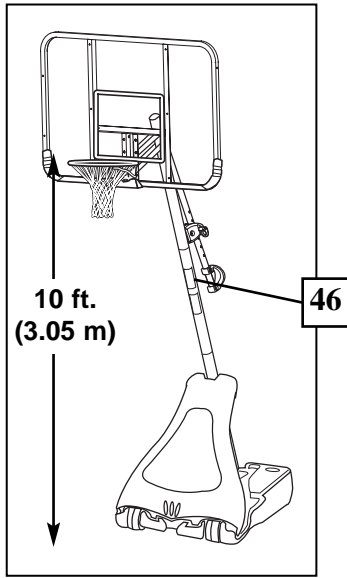
	WARNING! DO NOT LEAVE ASSEMBLY UNATTENDED WHEN EMPTY; IT MAY TIP OVER.
--	--

	CAUTION! ADD TWO GALLONS (7.6 LITERS) OF NON-TOXIC ANTIFREEZE IN SUB-FREEZING CLIMATES.
--	---

	NOTE: <i>IF USING SAND:</i> 2 GALLONS OF ANTI-FREEZE IS NOT REQUIRED
--	--

SECTION C: APPLY HEIGHT AND MOVING LABEL & HEIGHT ADJUSTMENT

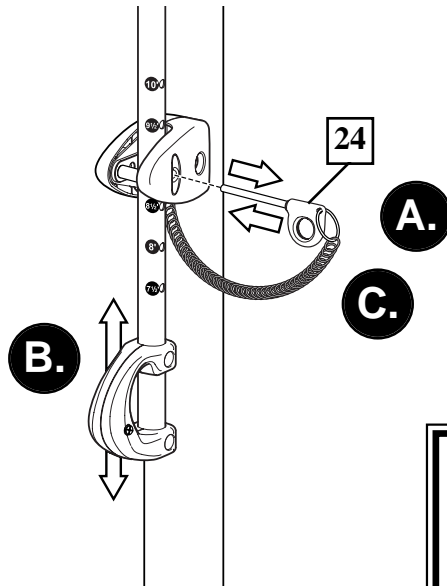
1. Apply height adjustment and moving label (46) to front of pole as shown.



	WARNING!
	TWO CAPABLE ADULTS REQUIRED FOR THIS PROCEDURE. FAILURE TO FOLLOW THIS WARNING COULD RESULT IN SERIOUS INJURY AND/OR PROPERTY DAMAGE.

	NOTE:
	Peel protective film from surface of acrylic backboard prior to use.

2. A. While holding handle, remove pin (24).
B. Move elevator up or down to desired height.
C. Replace pin (24) full length to lock system at desired height.



	WARNING!
	DO NOT ALLOW CHILDREN TO ADJUST HEIGHT.

Système de basket-ball portable Manuel d'utilisation

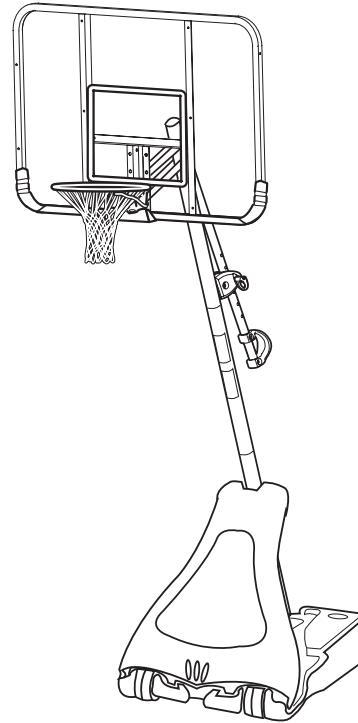
Service clientèle
• N53 W24700 South Corporate Circle • Sussex, WI 53089 • É.-U.

Tragbares Basketballsystem Benutzerhandbuch

Kundendienstzentrale
• N53 W24700 South Corporate Circle • Sussex, WI 53089 • U.S.A.

Sistema portátil de baloncesto Manual del Propietario

Centro de Servicio al Cliente
• N53 W24700 South Corporate Circle • Sussex, WI 53089 • EE.UU.



FRANÇAIS
DEUTSCH
ESPAÑOL

Assemblage exclusivement réservé à un adulte.

Zusammenbau nur durch Erwachsene.

Se requiere que un adulto realice el montaje.

Ce manuel, accompagné du justificatif d'achat, devra être conservé pour référence ultérieure, dans la mesure où il contient des informations importantes sur votre modèle.

Diese Anleitung sollte zusammen mit dem Kaufbeleg griffbereit aufbewahrt werden, da sie wichtige Informationen über Ihr Modell enthält.

Debe conservar este manual junto con el recibo de la compra y tenerlo disponible como conveniente referencia, ya que contiene información importante sobre su modelo.

Inscrivez ici le numéro de modèle qui apparaît sur la boîte:

Die Modellnummer vom Verpackungskarton hier eintragen:

Escriba aquí el número de modelo que viene en la caja:



AVERTISSEMENT!
WARNING!
¡ADVERTENCIA!



LISEZ CE MANUEL D'UTILISATION AVANT D'UTILISER CET APPAREIL

SOUS PEINE DE BLESSURES OU DE DÉGÂTS MATÉRIELS.

DAS BENUTZERHANDBUCH VOR GEBRAUCH DIESES PRODUKTS SORGFÄLTIG DURCHLESEN.

EIN MISSACHTEN DIESER BETRIEBSANLEITUNG KANN VERLETZUNGEN ODER SACHSCHÄDEN ZUR FOLGE HABEN.

LEA Y ENTIENDA EL MANUAL DEL OPERADOR ANTES DE USAR ESTA UNIDAD.

SI NO SE SIGUEN LAS INSTRUCCIONES DE OPERACIÓN SE PODRÍA OCASIONAR UNA LESIÓN O DAÑOS A LA PROPIEDAD.

Numéro vert du Service clientèle - États-Unis : 1-800-558-5234, Canada : 1-800-2284-8339,
Europe : 00 800 555 85234 (Suède : 009 555 85234), Australie : 1800 632 792 Adresse Internet: www.huffysports.com www.spalding.com

Gebührenfreie Telefonnummer für die USA: 1-800-558-5234, für Kanada: 1-800-284-8339, für Europa: 00 800 555 85234 (Schweden: 009 555 85234), für Australien: 1800 632 792 Internet-Adresse: www.huffysports.com www.spalding.com

Número telefónico sin costo del Departamento de Servicio al Cliente en EE.UU.: 1-800-558-5234,
Para Canadá: 1-800-284-8339, Para Europa: 00 800 555 85234 (Suecia: 009 555 85234), Para Australia: 1800 632 792 Dirección en Internet:
www.huffysports.com www.spalding.com

OUTILS ET MATÉRIEL REQUIS BENÖTIGTE WERKZEUGE UND MATERIALIEN HERRAMIENTAS Y MATERIALES REQUERIDOS



- Deux (2) adultes capables
- Zwei (2) zur Ausführung dieser Arbeit fähige Erwachsene
- Dos (2) adultos capaces



- Mètre
- Maßband
- Cinta de medir



- Plaque en bois (chute)
- Holzstück
- Tabla de madera (un trozo)



- Table de soutien
- Sägebock oder Stütztisch
- Caballete o tabla de apoyo



- Tournevis cruciforme
- Kreuzschlitzschraubenzieher
- Destornillador Phillips



- Echelle de 2,4 m
- Stufenleiter, 2,4 m (8 Fuß)
- Escalera de mano de 8 pies (2.4 m)



- Lunettes de sécurité
- Schutzbrille
- Gafas de seguridad

- (2) Clés
- (je 2) Schraubenschlüssel
- Llaves (dos de cada una)



7/16" 1/2" 9/16" 3/4"

ET/OU
AND/OR
UND/ODER
Y/O
E/O

- (2) Clés à douilles et douilles
- (2) Steckschlüssel und Einsätze
- (2) Llaves de tuercas de boca tubular y casquillos de



7/16" 1/2" 9/16" 3/4"

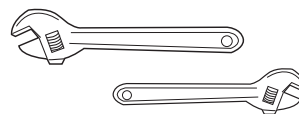
- Extension de douille
- Verlängerung
- Extensión



- Tuyau d'arrosage ou sable (163 kg) (360 lb.)
- Gartenschlauch oder Sand (163 kg) (360 lb.)
- Manguera de jardín o arena (163 kg) (360 lb.)

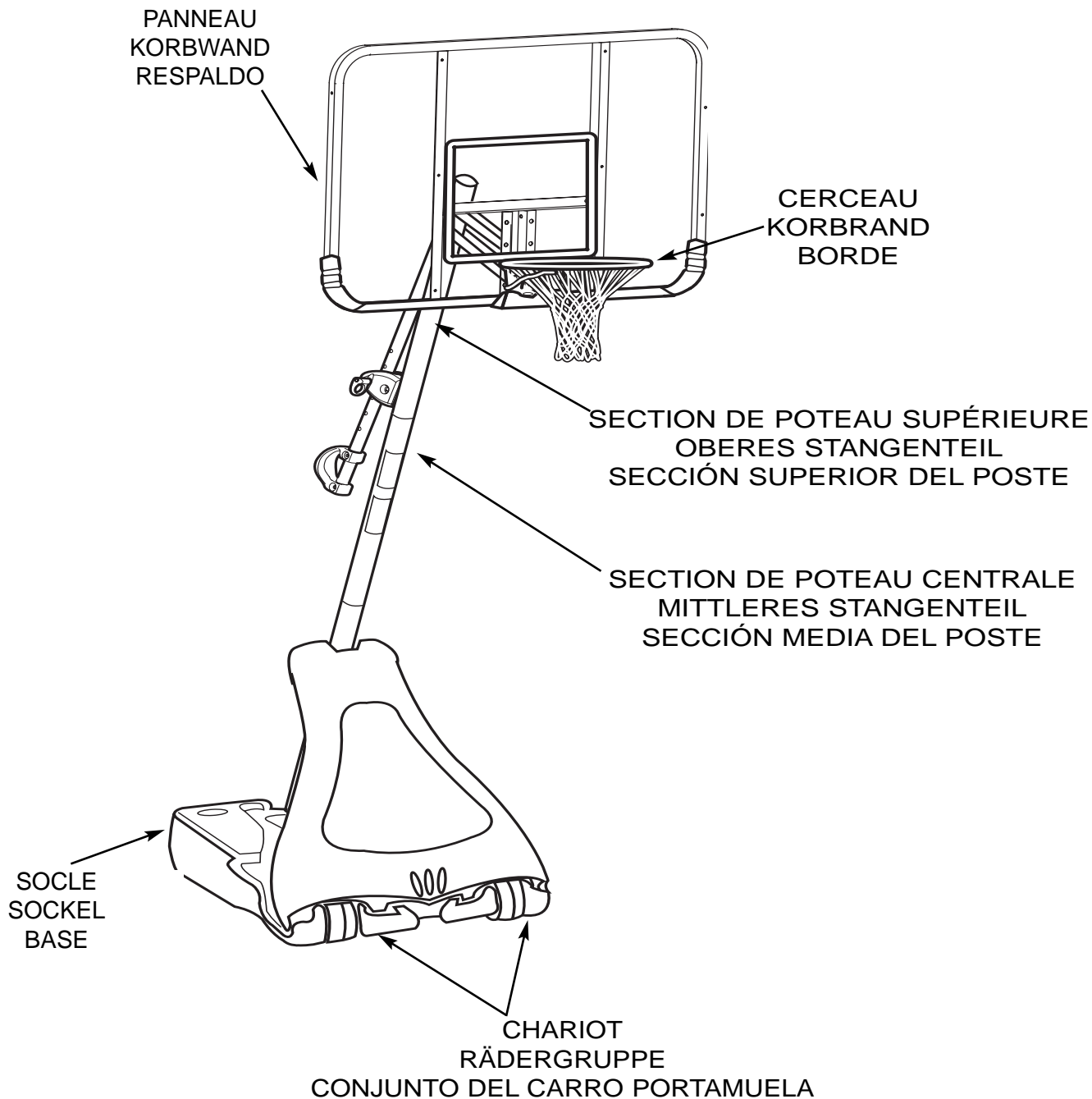


- Ou petite ou grande clé réglable
- Optional: Große und kleine verstellbare Schraubenschlüssel
- opcional: grande y pequeña Llaves ajustables

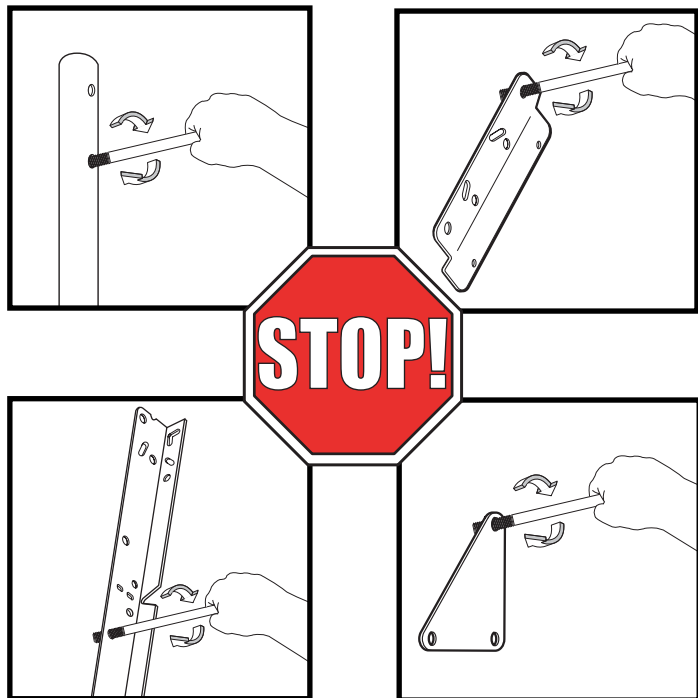


**Apprenez à connaître les composants de base de votre système de basket-ball...
Machen Sie sich mit den wichtigsten Teilen Ihres Basketballsystems vertraut...
Conozca las piezas básicas de su sistema de baloncesto...**

**VUE DE FACE
ANSICHT VON VORNE
VISTA FRONTAL**



AVANT DE COMMENCER! VORBEREITENDE MASSNAHMEN ¡ANTES DE COMENZAR!



Pour garantir l'utilisation optimale du panneau, les composants du système élévateur et la visserie doivent être bien ajustés (serrés). À titre d'essai, insérez les gros boulons dans les gros trous des tubes du système élévateur, des supports du panneau et des plaques triangulaires. Basculez-les avec précaution en imprimant un mouvement circulaire pour éliminer l'excédent de peinture, si nécessaire.

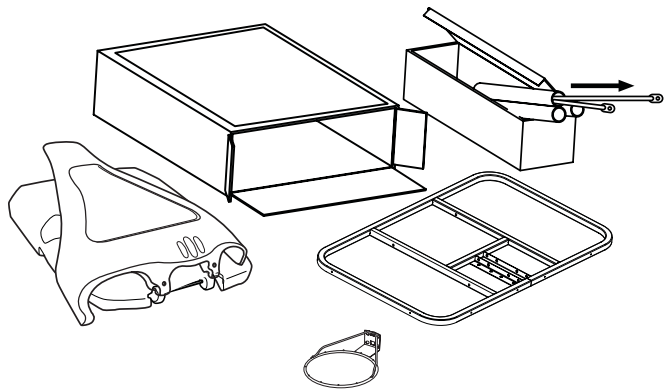
REMARQUE: No todos los artículos ilustrados se incluyen con cada modelo.

Um sicherzustellen, dass das Korbwandsystem optimal für den Spielbetrieb geeignet ist, müssen die Komponenten der Verlängerungsvorrichtung und die verschiedenen Befestigungsteile fest miteinander verschraubt werden. Große Schrauben zur Probe in die großen Löcher der Verlängerungsrohre, Korbwandklammern und Dreiecksplatte stecken und diese vorsichtig in einer Kreisbewegung hin- und herbewegen, um eventuelle Farbrückstände aus den Bohrungen zu entfernen.

NOTA: No todos los artículos ilustrados se incluyen con cada modelo.

Para asegurar el óptimo rendimiento del sistema del respaldo en el juego, se requiere un ajuste de tolerancia estrecha entre los componentes del elevador y el herraje. Pruebe el ajuste de los pernos grandes en los orificios grandes de los tubos elevadores, soportes del respaldo y placas triangulares. Cuidadosamente muévalos en círculos para eliminar cualquier exceso de pintura, si es necesario.

HINWEIS: Nicht jedem Modell sind alle abgebildeten Teile beige packt.



IMPORTANT!

Videz entièrement les boîtes.

Veillez à vérifier l'intérieur des sections de poteau.
La quincaillerie et des pièces supplémentaires sont
emballées à l'intérieur.

WICHTIG!

Die Kartons vollständig auspacken.

Den Hohlraum in den Stangenteilen inspizieren.
Dort sind Befestigungs- und andere Kleinteile verpackt.

¡IMPORTANTE!

Saque todo el contenido de las cajas.

Asegúrese de revisar el interior de las secciones del poste.
Ahí se han empacado herraje y piezas adicionales.

ENREGISTREMENT DU PRODUIT:

Rappelez-vous de remplir votre formulaire d'inscription du produit en ligne sur la page

www.huffysports.com/customer_support/product_registration.

PRODUKTREGISTRIERUNG:

Bitte vergessen Sie nicht, das Produktregistrierungsformular online unter

www.huffysports.com/customer_support/product_registration auszufüllen.

REGISTRO DEL PRODUCTO:

Por favor recuerde completar en línea el formulario de registro de su producto en:

www.huffysports.com/customer_support/product_registration.

AVERTISSEMENT

Lisez les avertissements indiqués ci-dessous avant d'utiliser ce produit. sous peine d'encourir des blessures graves et/ou des dégâts matériels.



Le propriétaire doit s'assurer que tous les joueurs connaissent et suivent ces règles d'utilisation sûre du système.

- NE VOUS SUSPENDEZ PAS sur le cerceau ou sur une autre partie du système, y compris le panneau, les supports ou le filet.
- Durant le jeu, en particulier lorsque vous faites un smash, gardez le visage à l'écart du panneau, du cerceau et du filet. Risque de blessures graves si les dents ou le visage viennent heurter le panneau, le cerceau ou le filet.
- Ne glissez et ne montez pas sur le socle et/ou le poteau, ne les secouez pas et ne jouez pas dessus.
- Une fois le montage terminé, remplacez complètement le système d'eau ou de sable. Ne laissez jamais le système à la verticale sans lester le socle, car le système risque de basculer et de causer des blessures.
- Lorsque vous réglez la hauteur ou que vous déplacez le système, gardez les mains et les doigts à l'écart des pièces en mouvement.
- Interdisez aux enfants de déplacer ou de régler le système.
- Avant le jeu, retirez vos bijoux (bagues, montres, colliers, etc.). Ces objets peuvent se prendre dans le filet.
- La surface située sous le socle doit être lisse, sans gravier ou autres objets coupants. Les perforations causent des fuites et risquent de faire basculer le système.
- Maintenez les substances organiques à l'écart du socle du poteau. L'herbe, les ordures, etc. risquent de causer la corrosion et/ou la détérioration du système.
- Vérifiez l'état du système (signes de corrosion comme rouille, piqûres, écaillage) et repeignez avec de la peinture émail pour extérieur. Si de la rouille a piqué l'acier en tout point, remplacez immédiatement le poteau.
- Vérifiez le système avant chaque utilisation (lest, visserie mal serrée, usure excessive et signes de corrosion) et réparez avant utilisation.
- Vérifiez la stabilité du système avant chaque utilisation.
- N'utilisez pas le système les jours de vent fort et/ou de tempête. Le système risque de se renverser. Placez le système dans sa position de stockage et/ou dans un lieu protégé du vent et loin de biens personnels et/ou câbles suspendus.
- Ne jouez jamais sur du matériel abîmé.
- Lorsque vous déplacez le système, soyez prudent pour empêcher le mécanisme de se déséquilibrer.
- Maintenez le poteau bouché à tout moment.
- Ne laissez pas geler l'eau du socle. Par moins de 0 degré Celsius, ajoutez 8 litres d'antigel non toxique ou du sable, ou bien videz complètement et stockez. (N'utilisez pas de sel.)
- Durant le déplacement du système, personne ne doit se tenir debout ou assis sur son socle, ni sur lester le socle.
- Ne laissez pas le système sans supervision et ne jouez pas sur le système lorsque les roues se sont enclenchées pour le déplacement.
- Soyez prudent lorsque vous déplacez le système sur des surfaces irrégulières, car il risque de basculer.
- Soyez extrêmement prudent si vous placez le système sur une déclivité. Il risque de se renverser plus facilement.
- Pour les instructions d'installation et d'entretien, reportez-vous au guide fourni.

SPALDING
Au Canada: 1-800-725-8339
En France: 1-800-334-9111

RUSSELL ATHLETIC

SURESHOT
Au Canada: 1-800-715-5488
En France: 1-800-334-9111

HYDRA-RIB
Au États-Unis: 1-800-334-9111

HUFFY SPORTS
En France: 1-800-558-8224
Au Canada: 1-800-264-6231
R.N.T. FR:556790 05/05

ACHTUNG

Vor Gebrauch dieses Produkts die nachstehenden Warnhinweise lesen und beachten.

Ein Missachten dieser Warnung kann zu schweren Verletzungen und/oder Sachschäden führen



Der Eigentümer muss sicherstellen, dass alle Spieler diese Regeln für einen sicheren Betrieb des Systems kennen und befolgen.

- NICHT am Korbrand oder irgendeinem anderen Teil des Systems, einschließlich Korbwand, Stützstreben oder Netz HÄNGEN.
- Während des Spielbetriebs, besonders bei Slam-Dunk-Manövern, müssen die Spieler ihr Gesicht vor Korbwand, Korbrand und Netz fern halten. Der Kontakt von Zähnen/Gesicht mit der Korbwand, dem Korbrand oder dem Netz kann schwere Verletzungen zur Folge haben.
- Nicht auf dem Sockel und/oder der Stange herumrutschen, klettern, daran rütteln oder damit spielen.
- Nach dem Zusammenbau das System ganz mit Wasser oder Sand füllen. Das System niemals in aufrechter Position stehen lassen, ohne den Sockel zu beschweren, da es andernfalls umkippen und Verletzungen verursachen kann.
- Beim Einstellen der Höhe oder beim Transport des Systems Hände und Finger von beweglichen Teilen fern halten.
- Kindern darf das Verschieben oder Einstellen des Systems nicht gestattet werden.
- Beim Spielen keinen Schmuck (Ringe, Armbänder, Halsketten usw.) tragen. Gegenstände dieser Art können sich im Netz verfangen.
- Die Oberfläche unter dem Sockel muss glatt und frei von Kies oder anderen scharfkantigen Gegenständen sein. Löcher verursachen Lecks und können ein Umkippen des Systems zur Folge haben.
- Organische Materialien vom Stangensockel fern halten. Gras, Abfälle usw. können Korrosion und/oder Abbaureischeinungen verursachen.
- Das Stangensystem auf Anzeichen von Korrosion (Rost, Narbenbildung, Ablättern) untersuchen und mit Emailaußenfarbe neu lackieren. Wenn sich an irgendeiner Stelle Rost durch den Stahl hindurch gefressen hat, muss die Stange sofort ersetzt werden.
- Das System vor jeder Benutzung auf den richtigen Ballast, lose Befestigungsteile, übermäßige Abnutzungserscheinungen und Anzeichen von Korrosion untersuchen; vor jedem Einsatz entsprechende Korrekturmaßnahmen bzw. Reparaturen durchführen.
- Die Stabilität des Systems vor jedem Gebrauch überprüfen.
- Das System nicht bei windigen und/oder unwirtschaftlichen Wetterverhältnissen benutzen, da es unter diesen Umständen umkippen kann. Das System in seine Lagerposition versetzen und/oder in einen windgeschützten Bereich bringen, in dem sich weder Sachwerte noch oberirdische Kabel befinden.
- Niemals an bzw. mit einer beschädigten Ausrüstung spielen.
- Beim Transport des Systems darauf achten, dass sich der Mechanismus nicht verschiebt.
- Das obere Stangenelement muss jederzeit mit einer Kappe abgedeckt sein.
- Das Wasser im Tank darf keinesfalls gefrieren. Bei Gefrier Temperaturen den Tank mit 7,5 l eines ungiftigen Gefrierschutzmittels oder Sand füllen oder ihn völlig entleeren und lagern. (Kein Salz verwenden.)
- Beim Verschieben des Systems darf niemand auf dem Sockel stehen oder sich neben dem System auf dem Sockel beschweren.
- Das System nicht unbeaufsichtigt lassen oder damit spielen, wenn die Räder zum Transport eingestell sind.
- Beim Transport des Geräts über ebene Flächen vorsichtig vorgehen. Das System kann umkippen.
- Beim Aufstellen des Systems auf einer geneigten Fläche mit großer Vorsicht vorgehen. Das System kann unter diesen Bedingungen leichter umkippen.
- Die ordnungsgemäße Installation und Wartung ist dem Gebrauchshandbuch zu entnehmen.

SPALDING
Canada: 1-800-264-8339
In den USA: 1-800-725-8339

RUSSELL ATHLETIC

SURESHOT
In den USA: 1-800-715-5488
In den USA: 1-800-334-9111

HYDRA-RIB
In den USA: 1-800-334-9111

HUFFY SPORTS
In den USA: 1-800-558-8224
Canada: 1-800-264-6231
Bestell-Nr.: GE556790 05/05

ADVERTENCIA

Lea y entienda las advertencias que se encuentran a continuación antes de usar este producto.

Si no se observan estas advertencias se podrían causar lesiones graves y/o daños materiales.



El propietario debe asegurarse de que todos los jugadores conozcan y obedezcan estas reglas para la operación segura del sistema.

- NO SE CUELQUE del borde ni de ninguna parte del sistema, inclusive el respaldo, las abrazaderas de apoyo y la red.
- Durante el juego, especialmente cuando se realizan actividades de tipo clavada (dunk), el jugador debe mantener la cara alejada del respaldo, el borde y la red. Si los dientes o la cara entran en contacto con el respaldo, el borde o la red, se puede sufrir una lesión grave.
- No se deslice, suba, sacuda ni juegue en la base y/o en poste.
- Cuando complete el montaje, llene completamente el sistema con agua o arena. Nunca deje el sistema en posición vertical sin llenar la base con un peso, ya que el sistema se podría caer y causar lesiones.
- Al ajustar la altura o mover el sistema mantenga las manos y los dedos alejados de las partes móviles.
- No permita que los niños jueguen o ajusten el sistema.
- Durante el juego, no use joyería (anillos, relojes, collares, etc.). Estos objetos se podrían atorar en la red.
- La superficie debajo de la base se debe mantener lisa y sin grava ni otros objetos fibrosos. Las perforaciones pueden causar fugas y provocar que el sistema se caiga.
- Mantenga los materiales orgánicos alejados de la base del poste. El césped, la basura, etc. podrían causar corrosión y/o deterioro de la base del poste.
- Revise que el sistema del poste no tenga señales de corrosión (oxidación, picaduras, desconchaduras) y si las tiene vuelva a pintar con pintura de esmalte para exteriores. Si la corrosión penetró a través del acero en cualquier área, reemplácelo inmediatamente el poste.
- Antes de cada uso revise el sistema para verificar que esté adecuadamente equilibrado, que no tenga herraje suelto, desgaste excesivo ni signos de corrosión, y réparelo si es necesario.
- Verifique la estabilidad del sistema antes de cada uso.
- NO use el sistema durante condiciones climáticas severas y/o con mucho viento, ya que el sistema se podría caer. Coloque el sistema en posición de almacenamiento y/o en un área protegida del viento y sin propiedad personal y/o cables suspendidos.
- Nunca juegue en equipo dañado.
- Cuando mueva el sistema, tenga cuidado para evitar que el mecanismo cambie de lugar.
- Siempre mantenga la parte superior del poste cubierta con la tapa.
- No permita que el agua del tanque se congele. En clima con temperaturas de congelamiento añada dos galones de anticongelante no tóxico, arena, o vacíe completamente el tanque y almacénelo. (No use sal.)
- Al mover el sistema no permita que nadie se pare o sienta en la base o añada lastre adicional en la base.
- No deje el sistema sin supervisión ni juegue en el sistema cuando las ruedas estén sobregadas para rodar.
- Tenga cuidado al mover el sistema sobre superficies irregulares. El sistema se podría lalear.
- Use extremado cuidado si va a colocar el sistema en una superficie inclinada. El sistema se podría caer más fácilmente.
- Consulte el manual de instrucciones para ver la instalación y el mantenimiento adecuados.

SPALDING
Canada: 1-800-264-8339
En el U.S.: 1-800-725-8339

RUSSELL ATHLETIC

SURESHOT
En el U.S.: 1-800-715-5488
En el U.S.: 1-800-334-9111

HYDRA-RIB
En el U.S.: 1-800-334-9111

HUFFY SPORTS
En el U.S.: 1-800-558-8224
En Canada: 1-800-264-6231
NPT: SP56790 05/05

⚠️ CONSIGNES DE SÉCURITÉ! ⚠️

SUIVEZ CES CONSIGNES DE SÉCURITÉ SOUS PEINE DE PROVOQUER DES BLESSURES GRAVES, DES DÉGÂTS MATÉRIELS ET L'ANNULATION DE LA GARANTIE.

Le propriétaire doit s'assurer que tous les joueurs connaissent et suivent ces règles d'utilisation sûre du système.

Par mesure de sécurité, n'essayez pas de monter ce système sans suivre scrupuleusement les instructions. Un montage, une utilisation et une supervision corrects et complets sont indispensables à un bon fonctionnement et à la réduction des risques d'accident ou de blessure. Des blessures graves sont très probables si le système n'est pas installé, entretenu et utilisé correctement.

- Si vous utilisez une échelle en cours de montage, soyez extrêmement prudent.
- Vérifiez régulièrement le socle pour vous assurer qu'il ne fuit pas. Les petites fuites risquent d'entraîner le basculement intempestif du système.
- Emboîtez correctement les sections de poteau (le cas échéant). Elles risquent sinon de se déboîter en cours de jeu et/ou de transport du système.
- Les conditions climatiques, la corrosion ou une mauvaise utilisation risquent de provoquer la panne du système.
- Pour toute assistance technique, contactez Huffy Sports.
- La hauteur minimale d'utilisation est de 1,98 (6' 6") m jusqu'à la base du panneau.

La plupart des blessures sont causées par une mauvaise utilisation et/ou le non-respect des instructions. Soyez prudent lorsque vous utilisez ce système.

⚠️ SICHERHEITSHINWEISE ⚠️

EIN MISSACHTEN DIESER SICHERHEITSHINWEISE KANN ZU SCHWEREN VERLETZUNGEN UND/ODER SACHSCHÄDEN FÜHREN UND MACHT DIE GARANTIE UNWIRKSAM..

Der Eigentümer muss sicherstellen, dass alle Spieler diese Regeln für einen sicheren Betrieb des Systems kennen und befolgen.

Aus Sicherheitsgründen darf dieses System nur unter sorgfältiger Beachtung der Anleitung zusammengebaut werden. Eine ordnungsgemäße und vollständige Montage, Verwendung und Aufsicht ist für den richtigen Betrieb und zur Reduzierung des Unfall- oder Verletzungsrisikos absolut erforderlich. Bei einer unsachgemäßen Installation und Wartung und bei einem falschen Betrieb dieses Systems besteht ein hohes Risiko schwerer Verletzungen.

- Beim Gebrauch einer Leiter während des Zusammenbaus extrem vorsichtig vorgehen.
- Den Sockel regelmäßig auf Leckstellen untersuchen. Langsam austretende Füllmittel können ein unerwartetes Umkippen des Systems verursachen.
- Die einzelnen Stangenteile richtig zusammenfügen (falls anwendbar). Andernfalls können sich die Stangenteile beim Spielbetrieb und/oder während des Transports des Systems voneinander lösen.
- Klimatische Bedingungen, Korrosion oder Fehlgebrauch kann zu Systemdefekten führen.
- Technische Unterstützung kann direkt von Huffy Sports angefordert werden.
- Die Mindestspielhöhe beträgt 1,98m (6,6 Fuß) bis zur Unterkante der Korbwand.

Die meisten Verletzungen werden durch einen Fehlgebrauch bzw. ein Missachten der Anleitungen verursacht. Bei der Verwendung dieses Geräts vorsichtig vorgehen.

⚠️ ¡INSTRUCCIONES DE SEGURIDAD! ⚠️

EL INCUMPLIMIENTO DE ESTAS INSTRUCCIONES DE SEGURIDAD PUEDE DAR COMO RESULTADO LESIONES GRAVES, DAÑOS MATERIALES Y ANULARÁ LA GARANTÍA.

El propietario debe asegurarse de que todos los jugadores conozcan y obedezcan estas reglas para la operación segura del sistema.

Por su seguridad, no intente montar este sistema sin seguir cuidadosamente las instrucciones. Es esencial el montaje completo, y el uso y la supervisión adecuados para la operación correcta del sistema y para reducir el riesgo de accidentes o lesiones. Existe una alta probabilidad de sufrir lesiones graves si este sistema no se instala, mantiene y opera adecuadamente.

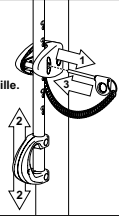
- Si utiliza una escalera de mano durante el montaje, tenga mucho cuidado.
- Revise regularmente la base para detectar fugas. Las fugas lentas podrían causar que el sistema se cayera inesperadamente
- Asiente correctamente las secciones del poste (si aplica). Si no lo hace, las secciones del poste podrían separarse durante el juego y/o durante el transporte del sistema.
- El clima, la corrosión y el mal uso podrían ocasionar la falla del sistema.
- Si requiere asistencia técnica, comuníquese con Huffy Sports.
- La altura mínima de operación es de 1.98m (6' 6") hasta la parte inferior del respaldo.

La mayoría de las lesiones son causadas por el uso inadecuado y/o por el incumplimiento de las instrucciones. Tenga cuidado cuando use esta unidad.

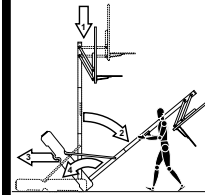
RÉGLAGE DE LA HAUTEUR

POUR AJUSTER LE PANNEAU :

1. Tout en tenant la poignée, retirez la goupille.
2. Montez ou abaissez le système éleveur jusqu'à la hauteur voulue.
3. Remettez la goupille à sa place en l'enfonçant à fond, pour bloquer le système à la hauteur désirée.



DÉPLACEMENT DU SYSTÈME



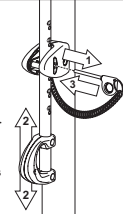
1. Placez le panneau de basket-ball à sa position la plus basse.
2. Tout en tenant le poteau, tournez le système de basket-ball vers l'avant jusqu'à ce que les roues touchent le sol.
3. Amenez le système de basket-ball à l'emplacement désiré.
4. Redressez avec précaution le système de basket-ball.
5. Vérifiez la stabilité du système.

FR511679 05/05

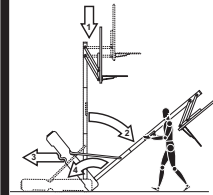
HÖHENEINSTELLUNG

EINSTELLEN DER KORBWAND:

1. Bei festgehaltenem Griff den Stift herausziehen.
2. Die Verlängerungsvorrichtung bis zur gewünschten Höhe nach oben oder unten verschieben.
3. Den Stift zum Verriegeln des Systems auf der gewünschten Höhe ganz hineinschieben.



TRANSPORTSYSTEM



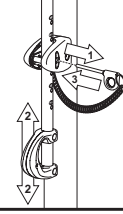
1. Die Basketball-Korbwand auf die niedrigste Position einstellen.
2. Die Stange festhalten; zur selben Zeit das Basketballsysteem nach vorne drehen, bis die Räder den Boden berühren.
3. Das Basketballsysteem an den gewünschten Ort fahren.
4. Das Basketballsysteem vorsichtig in die aufrechte Position drehen.
5. Die Stabilität des Systems überprüfen.

GE511679 05/05

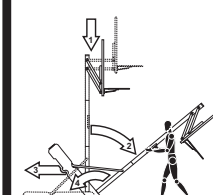
AJUSTE DE LA ALTURA

PARA AJUSTAR EL RESPALDO:

1. Mientras sujeta la manija, quite el pasador.
2. Mueva el elevador hacia arriba o hacia abajo a la altura deseada.
3. Vuelva a colocar el pasador a toda su longitud para fijar el sistema a la altura deseada.



MOVIMIENTO DEL SISTEMA



1. Ajuste la altura del respaldo de baloncesto a la posición más baja.
2. Mientras sujeta el poste, gire hacia adelante el sistema de baloncesto hasta que las ruedas toquen el piso.
3. Mueva el sistema de baloncesto a la ubicación deseada.
4. Gire cuidadosamente el sistema de baloncesto hasta que quede en posición vertical.
5. Revise la estabilidad del sistema.

SP511679 05/05



Des questions ou des pièces manquantes ?

NE RETOURNEZ PAS au magasin !

Appelez le numéro du service clientèle (NUMÉRO GRATUIT) qui figure en première page!



Fragen oder fehlende Teile?

Gehen Sie NICHT zum Laden zurück!

Rufen Sie die GEBÜHRENFREIE Telefonnummer (in den USA und Kanada) auf der Vorderseite an!



¿Tiene preguntas o le faltan piezas?

¡NO regrese a la tienda!

¡Llame al número telefónico GRATUITO de Servicio al Cliente que se indica en la primera página!

AVIS AUX PERSONNES CHARGÉES DU MONTAGE

Assemblage exclusivement réservé à un adulte. Jetez TOUT le matériel d'emballage dans les plus brefs délais. Comme pour tous les produits pour enfants, inspectez périodiquement le serrage des pièces de petite taille.

Une fois assemblé, l'ensemble DOIT être rempli de sable ou d'eau à TOUT MOMENT.

TOUS les systèmes de basket-ball, y compris ceux utilisés en EXPOSITION, DOIVENT être assemblés et installés conformément aux instructions. Suivez ces instructions sous peine d'encourir des BLESSURES GRAVES. Il est INACCEPTABLE de composer un système de soutien de fortune.

HINWEIS FÜR DIE PERSONEN, DIE DEN ZUSAMMENBAU DURCHFÜHREN

Zusammenbau nur durch Erwachsene. ALLE Verpackungsmaterialien sofort wegwerfen. Wie alle Produkte muss auch dieses regelmäßig auf lose Kleinteile inspiziert werden.

Die zusammengebaute Einheit MUSS STETS mit Sand oder Wasser gefüllt sein.

ALLE Basketballsysteme, einschließlich der zu AUSSTELLZWECKEN benutzten Systeme, MÜSSEN gemäß den Anleitungen zusammengebaut und aufgestellt werden. Ein Missachten dieser Anleitungen kann SCHWERE VERLETZUNGEN zur Folge haben. Zum Beschweren darf NICHT zu irgendwelchen Notbehelfsmaßnahmen gegriffen werden.

AVISO PARA LAS PERSONAS QUE REALIZAN EL MONTAJE

Es necesario que el montaje sea realizado por adultos. Deseche inmediatamente TODOS los materiales de embalaje. Al igual que con cualquier producto, inspeccione periódicamente para verificar que todas las piezas pequeñas estén firmemente apretadas.

La unidad montada DEBE estar llena de arena o agua en TODO momento.

TODOS los sistemas de baloncesto, inclusive los de EXHIBICIÓN, DEBEN estar montados e instalados de acuerdo con las instrucciones. Si no se siguen las instrucciones se podría ocasionar una LESIÓN SERIA. NO es aceptable improvisar un sistema de soporte temporal.

LISTE DES PIÈCES - Voir légende

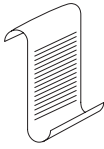
Légende Quantité No de réf. Description

<input type="checkbox"/>	1	1	203470	Rondelle de blocage, 1.5"
<input type="checkbox"/>	2	1	80662001	Socle
<input type="checkbox"/>	3	1	804833	Ensemble hauteur Exacta
<input type="checkbox"/>	4	1	908006	Section de poteau supérieure
<input type="checkbox"/>	5	1	90810701	Section de poteau centrale
<input type="checkbox"/>	6	1	908142	Section de poteau inférieure
<input type="checkbox"/>	7	2	206934	Gros boulon à œil, 9,5 mm
<input type="checkbox"/>	8	6	203063	Contre-écrou en nylon, 3/8-16
<input type="checkbox"/>	9	1	206634	Tige, 1/2 x 9-1/2 de long
<input type="checkbox"/>	10	1	203099	Écrou, Ny-lock, 5/16-18
<input type="checkbox"/>	11	4	201681	Entretoise, plastique D.I. 0,530 x .88 (long.)
<input type="checkbox"/>	12	1	202662	Boulon, tête à six pans, 5/16-18 x 11,4 cm (long.)
<input type="checkbox"/>	13	2	200341	Cache-écrou
<input type="checkbox"/>	14	11*	203100	Écrou à bride à 6 pans, 5/16-18
<input type="checkbox"/>	15	1	204832	Support de poteau
<input type="checkbox"/>	16	2	203053	Boulon ordinaire, 5/16-18 x 4 cm long.
<input type="checkbox"/>	17	4	203232	Rondelle, métallique, 19 mm
<input type="checkbox"/>	18	4	201124	Contre-écrou, 3/8-16
<input type="checkbox"/>	19	4	206360	Boulon, tête à six pans, 3/8-16 x 6,6 cm (long.)
<input type="checkbox"/>	20	2	204858	Entretoise, Biscuit, plastique
<input type="checkbox"/>	21	2	204857	Cale d'espacement, métallique, D.E. 1,2 cm x 3,6 cm (long.)
<input type="checkbox"/>	22	2	204859	Protection, goupille
<input type="checkbox"/>	23	1	203038	Boulon ordinaire, 5/16-18 x 7 cm (long.)
<input type="checkbox"/>	24	1	204850	Goupille, blocage
<input type="checkbox"/>	25	1	204853	Cordon, torsadé noir
<input type="checkbox"/>	26	4	201683	Entretoise, D.I. 0,530 x 1.5 (long.)
<input type="checkbox"/>	27	2	908256	Support, panneau
<input type="checkbox"/>	28	2	200874	Entretoise, D.I. .402 x D.E. .5 x 1,5 (long.)

Légende Quantité No de réf. Description

<input type="checkbox"/>	29	6	206244	Boulon, six pans, 1/2-13 x 8 de long.
<input type="checkbox"/>	30	4	201642	Entretoise, plastique, D.I. 0,530 x .625 (long.)
<input type="checkbox"/>	31	7	206340	Contre-écrou, six pans, 1/2-13
<input type="checkbox"/>	32	2	904820	Tube du système élévateur, inférieur et long
<input type="checkbox"/>	33	2	204837	Ressort, contrepoids
<input type="checkbox"/>	34	1		Cerceau
<input type="checkbox"/>	35	2	904808	Tube du système élévateur, supérieur et court
<input type="checkbox"/>	36	2	201682	Entretoise, D.I. 0,530 x 1,875
<input type="checkbox"/>	37	2	900867	Plaque triangulaire (noire)
<input type="checkbox"/>	38	1	207103	Capuchon, dessus du poteau
<input type="checkbox"/>	39	2*	200520	Vis, #8 x 1/2
<input type="checkbox"/>	40	1	202605	Boulon, 6 pans, 1/2-13 x 4.25 (long)
<input type="checkbox"/>	41	1	206219	Bouchon, réservoir
<input type="checkbox"/>	42	1	206990	Support de renforcement
<input type="checkbox"/>	43	1		Filet
<input type="checkbox"/>	44	4*	205528	Boulon, bride, six pans, 5/16-18 x 2,54 cm (long.)
<input type="checkbox"/>	45	6	203309	Rondelle plate, D.I. .406 x D.E. 1
<input type="checkbox"/>	46	1	511679	Étiquette, échelle de hauteur et déplacement
<input type="checkbox"/>	47	4	204961	Boulon, six pans, 5/16-18 x 1.59 de long.
<input type="checkbox"/>	48	1	900033	Support, Slam Jam
<input type="checkbox"/>	49	1	203796	Boulon à T, 3/8-16 x 12,7 cm (long.)
<input type="checkbox"/>	50	1	200318	Support de renforcement, Slam Jam
<input type="checkbox"/>	51	1	203472	Ressort, noir, Slam Jam
<input type="checkbox"/>	52	1	203795	Écrou, spécial

* IL EST POSSIBLE QUE VOUS AYEZ D'AUTRES PIÈCES AVEC CE MODÈLE.

	REMARQUE:
	Des pièces supplémentaires sont peut-être fournies avec ce modèle.

	AVERTISSEMENT!	
<p>SI VOTRE SYSTÈME EST ÉQUIPÉ D'UN PANNEAU EN ACRYLIQUE, EXAMINEZ-LE BIEN POUR VOUS ASSURER QU'IL N'A PAS ÉTÉ ENDOMMAGÉ EN COURS DE TRANSPORT. S'IL EST FISSURÉ, IL RISQUE DE SE CASSER SUBITEMENT. SI LE PANNEAU EST ENDOMMAGÉ D'UNE QUELCONQUE MANIÈRE AVANT OU APRÈS L'ASSEMBLAGE, APPELEZ LE NUMÉRO SANS FRAIS:</p> <p>États-Unis 1-800-558-5234 ; CANADA : 1-800-284-8339 ; http://www.huffysports.com</p>		

TEILELISTE - Siehe Teileschlüssel

<input checked="" type="checkbox"/> <u>Nr.</u>	<u>Anz.</u>	<u>Teilenummer</u>	<u>Beschreibung</u>	<input checked="" type="checkbox"/> <u>Nr.</u>	<u>Anz.</u>	<u>Teilenummer</u>	<u>Beschreibung</u>
<input type="checkbox"/> 1	1	203740	Sicherungsscheibe, 1.5"	<input type="checkbox"/> 29	6	206244	Sechskantkopfschraube, 1/2-13 x 8 Länge
<input type="checkbox"/> 2	1	80662001	Sockelbaugruppe	<input type="checkbox"/> 30	4	201642	Sechskantkopfschraube, 1/2-13 x 8 Länge
<input type="checkbox"/> 3	1	804833	Exacta-Höheneinstellkomponenten	<input type="checkbox"/> 31	7	206340	Sechskant-Gegenmutter, 1/2-13
<input type="checkbox"/> 4	1	908006	Oberes Stangenteil	<input type="checkbox"/> 32	2	904820	Unteres langes Verlängerungsrohr
<input type="checkbox"/> 5	1	90810701	Mittleres Stangenteil	<input type="checkbox"/> 33	2	204837	Gegengewichtsfeder
<input type="checkbox"/> 6	1	908142	Unteres Stangenteil	<input type="checkbox"/> 34	1		Korbrand
<input type="checkbox"/> 7	2	206934	Große Einschrauböse, 3/8 Zoll	<input type="checkbox"/> 35	2	904808	Oberes kurzes Verlängerungsrohr
<input type="checkbox"/> 8	6	203063	Nylon-Einschraubgegenmutter, 3/8-16	<input type="checkbox"/> 36	2	201682	Abstandsstück, 0,530 ID x 1,875
<input type="checkbox"/> 9	1	206634	Stange, 1/2 x 9-1/2 Länge	<input type="checkbox"/> 37	2	900867	Dreiecksplatte, (Schwarz)
<input type="checkbox"/> 10	1	203099	Ny-Lock-Mutter, 5/16-18	<input type="checkbox"/> 38	1	207103	Stangenendkappe
<input type="checkbox"/> 11	4	201681	Abstandsstück, Plastik, 0,530 ID x 0,88 Länge	<input type="checkbox"/> 39	2*	200520	Schraube, Nr. 8 x 1/2 Zoll
<input type="checkbox"/> 12	1	202662	Sechskantkopfschraube, 5/16-18 x 4-1/2 Länge	<input type="checkbox"/> 40	1	202605	Sechskantschraube, 1/2-13 x 4,25 Länge
<input type="checkbox"/> 13	2	200341	Schraubenabdeckung	<input type="checkbox"/> 41	1	206219	Tankdeckelverschluss
<input type="checkbox"/> 14	11*	203100	Sechskant-Flanschmutter, 5/16-18	<input type="checkbox"/> 42	1	206990	Verstärkungshalterung
<input type="checkbox"/> 15	1	204832	Stangenmontageklammer	<input type="checkbox"/> 43	1		Netz
<input type="checkbox"/> 16	2	203053	Schlossschraube, 5/16-18 x 4 Länge	<input type="checkbox"/> 44	4*	205528	Sechskant-Flanschschraube, 5/16-18 x 1 Länge
<input type="checkbox"/> 17	4	203232	Unterlegscheibe, Metall, 3/4 Zoll AD	<input type="checkbox"/> 45	6	203309	Unterlegscheibe, 0,406 ID x 1 AD, flach
<input type="checkbox"/> 18	4	201124	Gegenmutter, 3/8-16	<input type="checkbox"/> 46	1	511679	Höheneinstell- und Transportaufkleber
<input type="checkbox"/> 19	4	206360	Sechskantkopfschraube, 3/8-16 x 2-5/8 Länge	<input type="checkbox"/> 47	4	204961	Sechskantkopfschraube, 5/16-18 x 1,59 cm Länge
<input type="checkbox"/> 20	2	204858	Abstandsstück, rund, Plastik	<input type="checkbox"/> 48	1	900033	Slam Jam-Halterung
<input type="checkbox"/> 21	2	204857	Abstandsstück, Metall, 1/2 Zoll AD x 1,44 Zoll Länge	<input type="checkbox"/> 49	1	203796	T-Nutenschraube, 3/8-16 x 5 Zoll Länge
<input type="checkbox"/> 22	2	204859	Stiftschiebeabdeckung	<input type="checkbox"/> 50	1	200318	Slam Jam-Verstärkungshalterung
<input type="checkbox"/> 23	1	203038	Schlossschraube, 5/16-18 x 2-3/4 Länge	<input type="checkbox"/> 51	1	203472	Slam Jam-Feder, schwarz
<input type="checkbox"/> 24	1	204850	Verriegelungsstift	<input type="checkbox"/> 52	1	203795	Spezialmutter
<input type="checkbox"/> 25	1	204853	Abzugsleine, schwarze Rolle				
<input type="checkbox"/> 26	4	201683	Abstandsstück, 0,530 ID x 1,5 Länge				
<input type="checkbox"/> 27	2	908256	Korbwandstützklammer				
<input type="checkbox"/> 28	2	200874	Abstandsstück, Stahl, 0,402 ID x 0,5 AD x 1,5 Länge				

* DIESEM MODELL KÖNNEN ZUSÄTZLICHE TEILE BEIGEPACKT SEIN.

HINWEIS:

Diesem Modell können zusätzliche Teile beigepackt sein.

WARNUNG!

BEI EINEM MIT EINER ACRYL-RÜCKWAND AUSGESTATTETEN SYSTEM DIE KORBWAND AUF EVENTUELLE SCHÄDEN UNTERSUCHEN, DIE WÄHREND DES VERSANDS EINGETRETEN SEIN KÖNNEN. SPRÜNGE IN DER KORBWAND KÖNNEN ZU DEREN PLÖTZLICHEM BRUCH FÜHREN. WENN DIE KORBWAND VOR ODER NACH DEM ZUSAMMENBAU IN JEDLICHER WEISE BESCHÄDIGT WIRD, RUFEN SIE DIE FOLGENDE GEBÜHRENFREIE TELEFONNUMMER AN: Innerhalb der USA: 1-800-558-5234; innerhalb KANADAS: 1-800-284-8339; <http://www.huffysports.com>

LISTA DE PIEZAS - Vea el identificador de herraje

<input checked="" type="checkbox"/>	<u>Artículo</u>	<u>Cant.</u>	<u>Pieza N.º</u>	<u>Descripción</u>	<input checked="" type="checkbox"/>	<u>Artículo</u>	<u>Cant.</u>	<u>Pieza N.º</u>	<u>Descripción</u>
<input type="checkbox"/>	1	1	203470	Arandela de seguridad, 1.5"	<input type="checkbox"/>	27	2	908256	Soporte del respaldo
<input type="checkbox"/>	2	1	80662001	Conjunto de la base	<input type="checkbox"/>	28	2	200874	Espaciador, acero, 0.402 D.I. x 0.5 D.E. x 1.5 de longitud
<input type="checkbox"/>	3	1	804833	Conjunto Exacta Height	<input type="checkbox"/>	29	6	206244	Perno, cabeza hexagonal, 1/2-13 x 8 de longitud
<input type="checkbox"/>	4	1	908006	Sección superior del poste	<input type="checkbox"/>	30	4	201642	Espaciador, plástico, 0.530 D.I. x 0.625 de longitud
<input type="checkbox"/>	5	1	90810701	Sección media del poste	<input type="checkbox"/>	31	7	206340	Contratuerca, cabeza hexagonal, 1/2-13
<input type="checkbox"/>	6	1	908142	Sección inferior del poste	<input type="checkbox"/>	32	2	904820	Tubo elevador, inferior (largo)
<input type="checkbox"/>	7	2	206934	Perno de anilla grande, 3/8"	<input type="checkbox"/>	33	2	204837	Resorte, contrapeso
<input type="checkbox"/>	8	6	203063	Tuerca de nilón del inserto de seguridad, 3/8-16	<input type="checkbox"/>	34	1		Borde
<input type="checkbox"/>	9	1	206634	Varilla, 1/2 x 9-1/2 de longitud	<input type="checkbox"/>	35	2	904808	Tubo elevador, superior (corto)
<input type="checkbox"/>	10	1	203099	Tuerca, Ny-lock, 5/16-18	<input type="checkbox"/>	36	2	201682	Espaciador 0.530 D.I. x 1.875
<input type="checkbox"/>	11	4	201681	Espaciador, plástico, 0.530 D.I. x 0.88 de longitud	<input type="checkbox"/>	37	2	900867	Placa triangular, (negra)
<input type="checkbox"/>	12	1	202662	Perno, cabeza hexagonal, 5/16-18 x 4-1/2 de longitud	<input type="checkbox"/>	38	1	207103	Tapa, parte superior del poste
<input type="checkbox"/>	13	2	200341	Cubierta de la tuerca	<input type="checkbox"/>	39	2*	200520	Tornillo, #8 x 1/2
<input type="checkbox"/>	14	11*	203100	Tuerca, brida hexagonal, 5/16-18	<input type="checkbox"/>	40	1	202605	Perno hexagonal 1/2-13 x 4.25 de longitud
<input type="checkbox"/>	15	1	204832	Soporte, montaje del poste	<input type="checkbox"/>	41	1	206219	Tapón, tapa del tanque
<input type="checkbox"/>	16	2	203053	Perno cabeza de carro, 5/16-18 x 4 de longitud	<input type="checkbox"/>	42	1	206990	Soporte de refuerzo
<input type="checkbox"/>	17	4	203232	Arandela de metal, 3/4" D.E.	<input type="checkbox"/>	43	1		Red
<input type="checkbox"/>	18	4	201124	Contratuerca, 3/8-16	<input type="checkbox"/>	44	4*	205528	Perno, brida hexagonal, 5/16-18 x 1 de longitud
<input type="checkbox"/>	19	4	206360	Perno, cabeza hexagonal, 3/8-16 x 2-5/8 de longitud	<input type="checkbox"/>	45	6	203309	Arandela, 0.406 D.I. x 1 D.E. plana
<input type="checkbox"/>	20	2	204858	Espaciador, oblongo, plástico	<input type="checkbox"/>	46	1	511679	Etiqueta, ajuste de la altura y de movimiento
<input type="checkbox"/>	21	2	204857	Espaciador, de metal, 1/2" de D.E. x 1,44 de largo	<input type="checkbox"/>	47	4	204961	Perno, cabeza hexagonal, 5/16-18 x 1,59 cm de longitud
<input type="checkbox"/>	22	2	204859	Cubierta, corredera de perno	<input type="checkbox"/>	48	1	900033	Soporte, Slam Jam
<input type="checkbox"/>	23	1	203038	Perno cabeza de carro, 5/16-18 x 2 - 3/4 de longitud	<input type="checkbox"/>	49	1	203796	Perno en T, 3/8-16 x 5 de longitud
<input type="checkbox"/>	24	1	204850	Perno de fijación	<input type="checkbox"/>	50	1	200318	Soporte, refuerzo, Slam Jam
<input type="checkbox"/>	25	1	204853	Acollador, espiral negro	<input type="checkbox"/>	51	1	203472	Resorte, negro, Slam Jam
<input type="checkbox"/>	26	4	201683	Espaciador 0.530 D.I. x 1.5 de longitud	<input type="checkbox"/>	52	1	203795	Tuerca especial

* PUEDE HABER PIEZAS ADICIONALES EN ESTE MODELO.

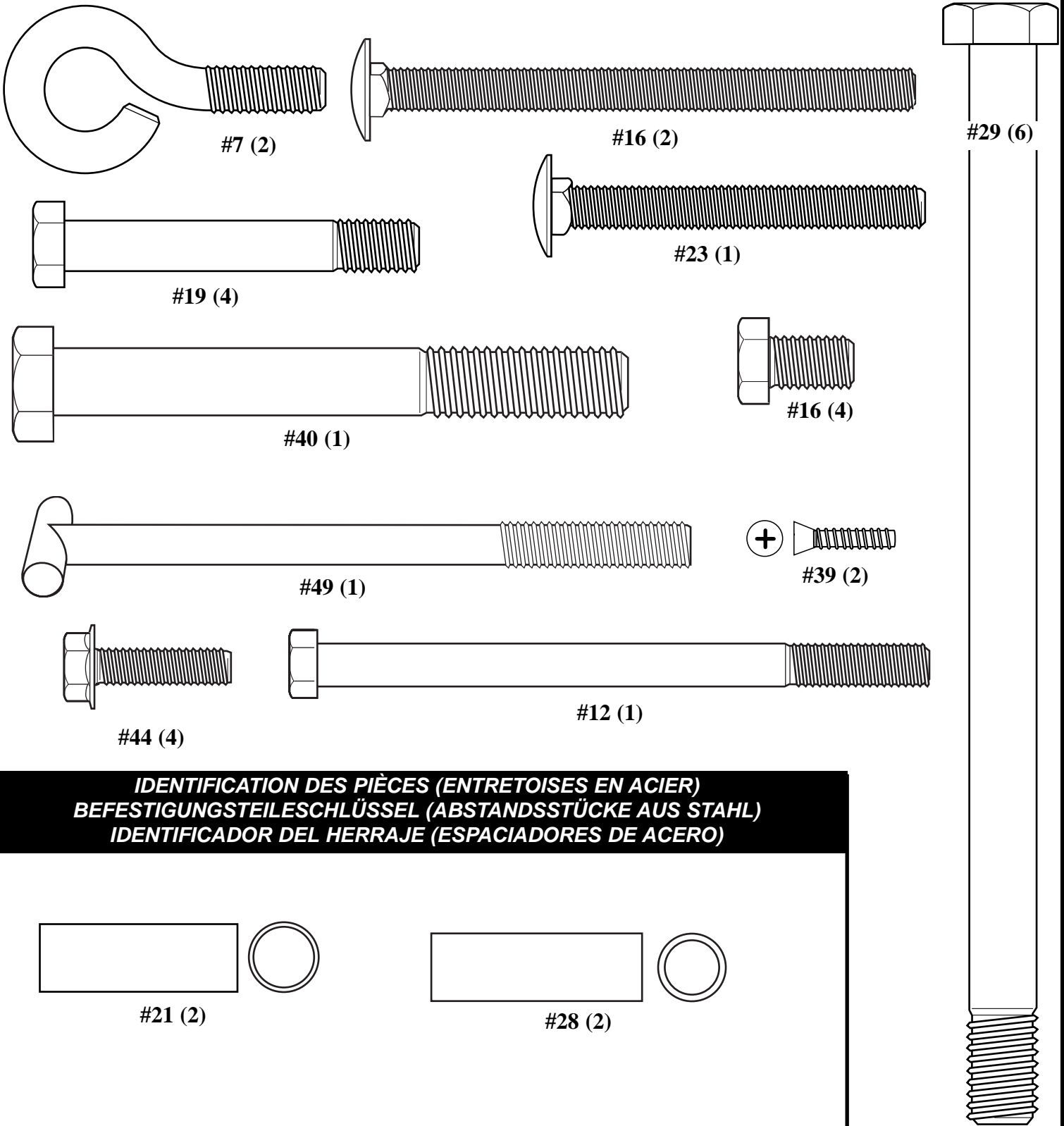
NOTA:

Puede haber piezas adicionales en este modelo.

¡ADVERTENCIA!

SI SU SISTEMA ESTÁ EQUIPADO CON UN RESPALDO DE ACRÍLICO, EXAMINE EL RESPALDO PARA VERIFICAR QUE NO HAYA SUFRIDO DAÑOS DURANTE EL TRANSPORTE. LA PRESENCIA DE GRIETAS EN EL RESPALDO PODRÍA OCASIONAR SU ROMPIMIENTO REPENTINO. SI EL RESPALDO SE DAÑA DE ALGUNA MANERA ANTES O DESPUÉS DE SU MONTAJE, LLAME AL NÚMERO TELEFÓNICO SIN COSTO:
EE. UU. 1-800-558-5234; CANADÁ: 1-800-284-8339; <http://www.huffysports.com>

IDENTIFICATION DES PIÈCES (BOULONS & VIS)
BEFESTIGUNGSTEILESCHLÜSSEL (BOLZEN UND SCHRAUBEN)
IDENTIFICADOR DE HERRAJE (PERNOS Y TORNILLOS)

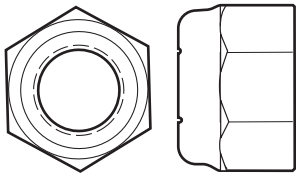


IDENTIFICATION DES PIÈCES (ENTRETOISES EN ACIER)
BEFESTIGUNGSTEILESCHLÜSSEL (ABSTANDSSTÜCKE AUS STAHL)
IDENTIFICADOR DEL HERRAJE (ESPACIADORES DE ACERO)

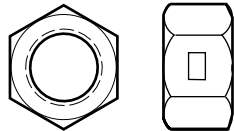


- * IL EST POSSIBLE QUE VOUS AYEZ D'AUTRES PIÈCES AVEC CE MODÈLE.
- * DIESEM MODELL KÖNNEN ZUSÄTZLICHE TEILE BEIGEPACKT SEIN.
- * PUEDE HABER PIEZAS ADICIONALES EN ESTE MODELO.

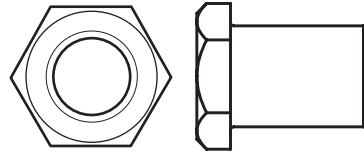
IDENTIFICATION DES PIÈCES (ÉCROUS & RONDELLES)
BEFESTIGUNGSTEILESCHLÜSSEL (MUTTERN UND UNTERLEGSCHIEBEN)
IDENTIFICADOR DE HERRAJE (TUERCAS Y ARANDELAS)



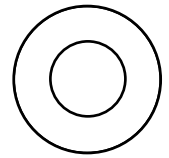
#31 (7)



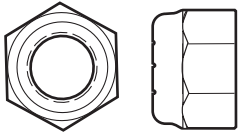
#18 (4)



#52 (1)



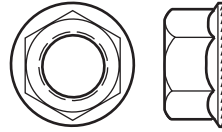
#17 (4)



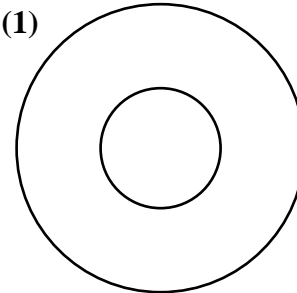
#8 (2)



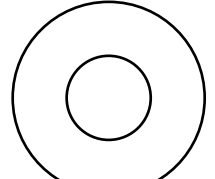
#10 (1)



#14 (11)*

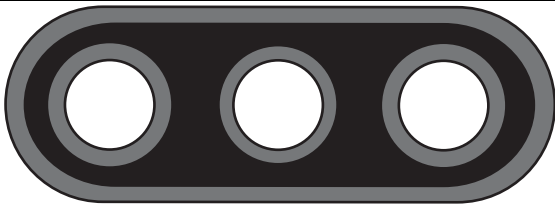


#1 (1)



#45 (6)

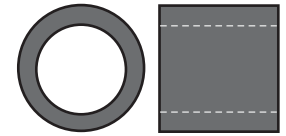
IDENTIFICATION DES PIÈCES (ENTRETOISES, CAPUCHONS & PINCES EN PLASTIQUE)
BEFESTIGUNGSTEILESCHLÜSSEL (ABSTANDSSTÜCKE, KAPPEN UND CLIPS AUS KUNSTSTOFF)
IDENTIFICADORES DEL HERRAJE (TAPAS DE LOS ESPACIADORES Y SUJETADORES DE PLÁSTICO)



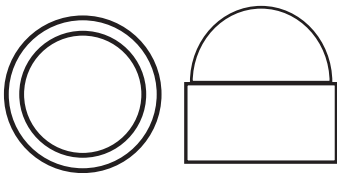
#20 (2)



#26 (4)



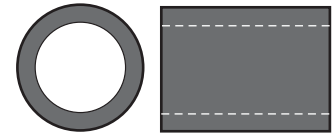
#30 (4)



#13 (2)

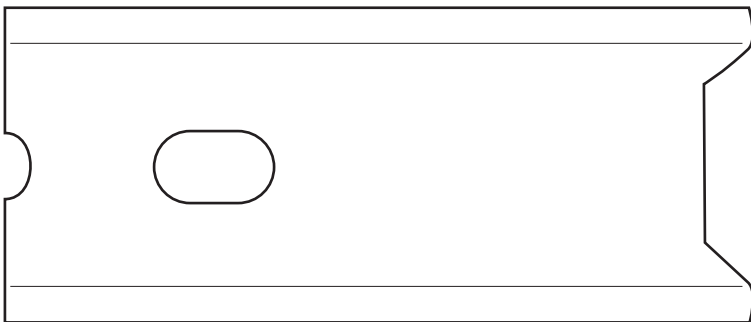


#36 (2)

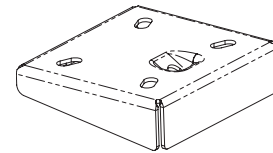


#11(4)

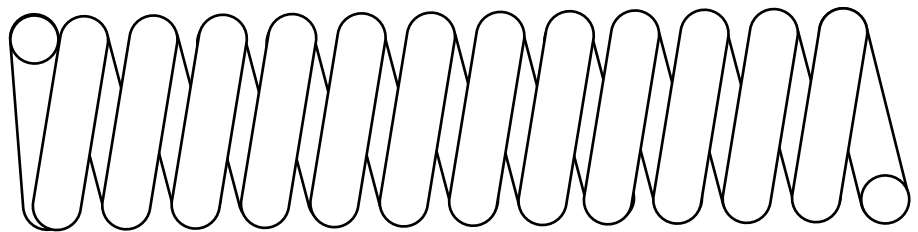
IDENTIFICATION DES PIÈCES (AUTRES)
BEFESTIGUNGSTEILESCHLÜSSEL (SONSTIGE)
IDENTIFICADOR DE HERRAJE (OTROS)



#50 (1)



#48 (1)



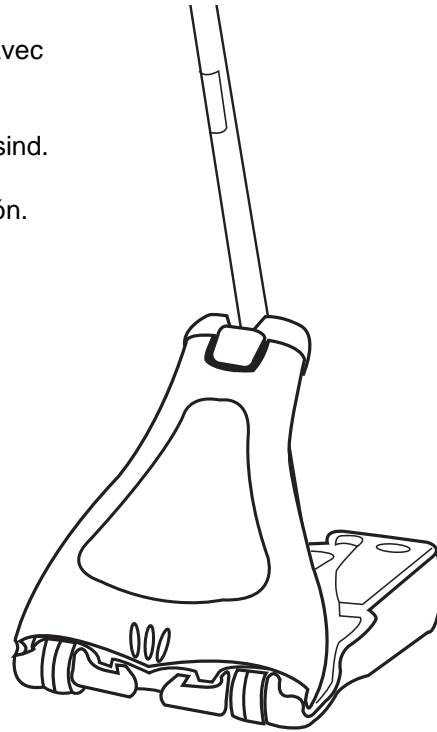
#51 (1)

SECTION A: MONTAGE DU SOCLE
BAUABSCHNITT A: ZUSAMMENBAU DES SOCKELS
SECCIÓN A: MONTAJE DE LA BASE

Voici à quoi ressemblera votre système lorsque vous en aurez fini avec cette section.

So sieht das System aus, wenn Sie mit diesem Bauabschnitt fertig sind.

Así es como se verá su sistema cuando haya terminado esta sección.



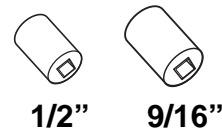
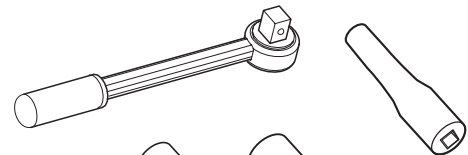
OUTILS REQUIS POUR CETTE SECTION
FÜR DIESEN BAUABSCHNITT BENÖTIGTES WERKZEUG
HERRAMIENTAS REQUERIDAS PARA ESTA SECCIÓN

(2) clés 1/2" et (2) clés 9/16"
(2) 1/2 und (2) 9/16-Zoll-Schraubenschlüssel
(2) Llaves de 1/2" y (2) de 9/16"



ET/OU
UND/ODER
Y/O

(2) clés à douille et douilles
(2) Steckschlüssel und Einsätze
(2) Llaves de tuercas de boca tubular y casquillos de



un tournevis cruciforme
ein Kreuzschlitzschraubenzieher
un destornillador Phillips



1A.

Vérifiez le serrage des zones pré-assemblées suivantes du socle : Boulons à œil (no de réf. 203452), rondelle (no de réf. 203218), écrou (no de réf. 203100), boulons ordinaires (no de réf. 203223).

Überprüfen Sie die folgenden vormontierten Sockelbauteile auf ihren festen Sitz: Einschraubösen Nr.203452, Unterlegscheibe Nr. 203218, Mutter Nr. 203100, Schlossschrauben Nr. 203223.

Revise que las siguientes áreas de la base premontada estén apretadas: Pernos de anilla N/P 203452, arandela N/P 203218, tuerca N/P 203100, pernos cabeza de carro N/P 203223.

Boulons ordinaires no de réf. 203223

Schlossschrauben Nr. 203223

Pernos cabeza de carro N/P 203223

Support de poteau no de réf. 201581

Stangenhalterung Nr. 201581

Soporte del poste N/P 201581

Couvercle avant no de réf. 206002

Frontabdeckung Nr. 206002

Cubierta frontal N/P 206002

Rondelle no de réf. 203218

Unterlegscheibe Nr. 203218

Arandela N/P 203218

Écrou no de réf. 203100

Mutter Nr. 203100

Tuerca N/P 203100

Ressort, noir no de réf. 206091

Feder, schwarz Nr. 206091

Resorte, negro N/P 206091

Écrou à six pans no de réf. 203100

Sechskant-Flansmutter Nr. 203100

Tuerca de brida hexagonal N/P 203100

Socle no de réf. 206620

Sockel Nr. 206620

Base N/P 206620

Boulons à œil no de réf. 203452

Einschraubösen Nr. 203452

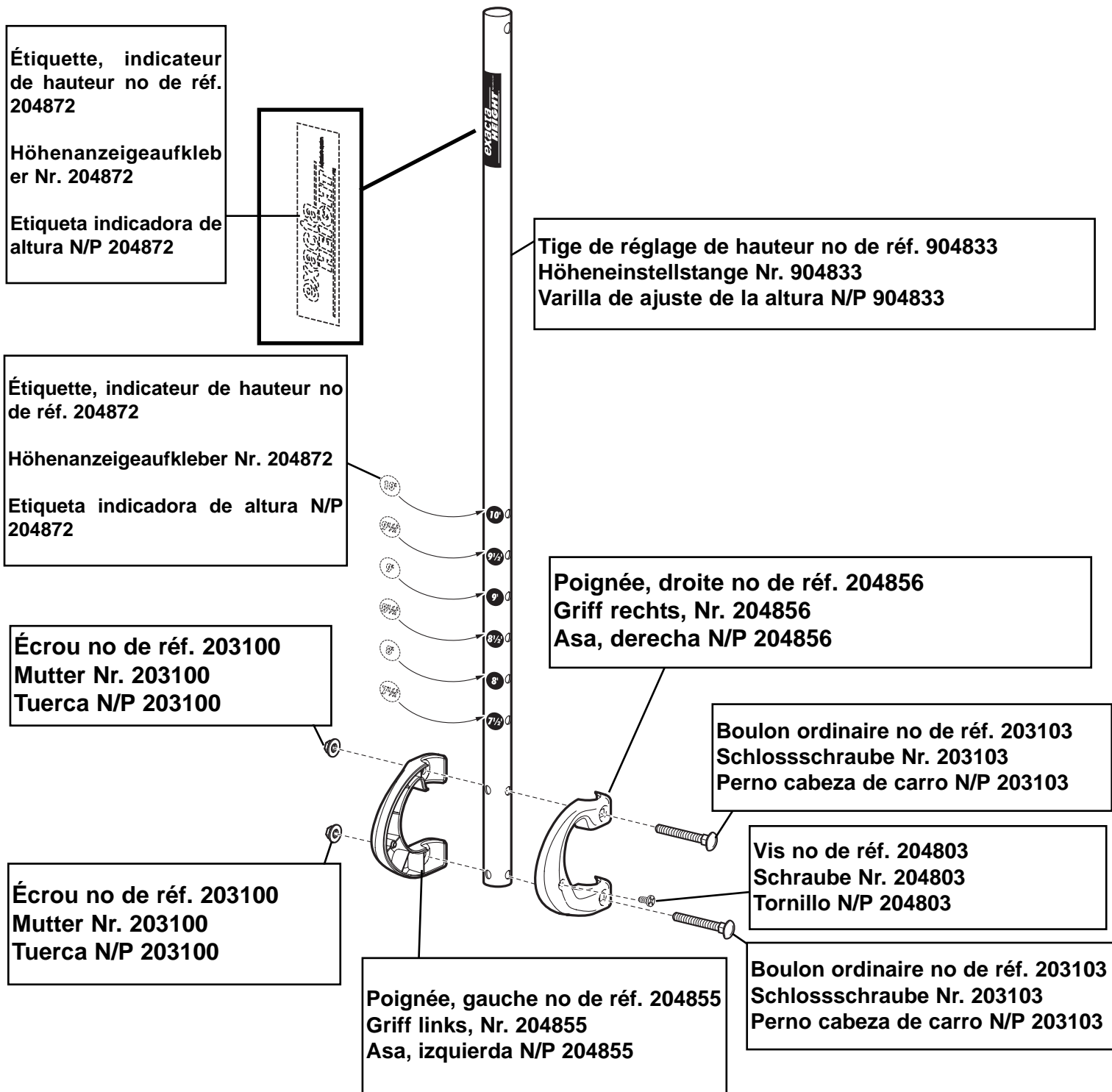
Pernos de anilla N/P 203452

1B.

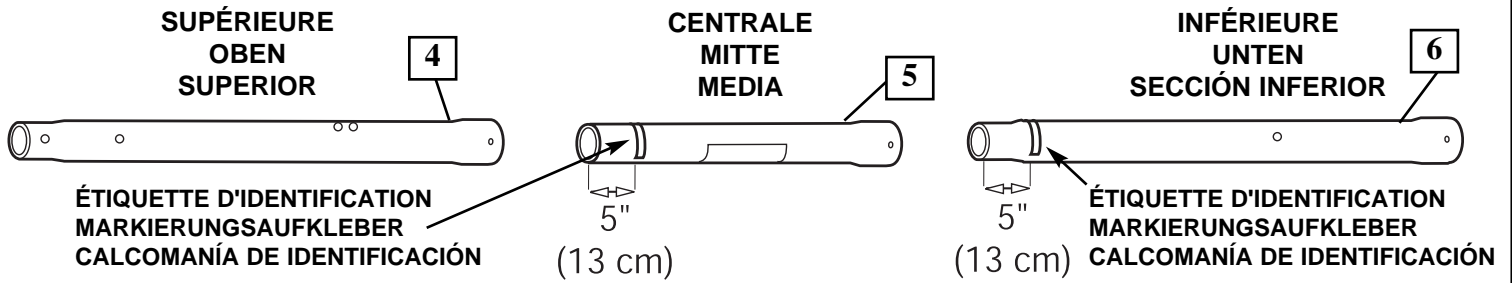
Vérifiez le serrage des zones pré-assemblées suivantes de la poignée : Vis (no de réf. 2048032), écrou (no de réf. 203100), boulons ordinaires (no de réf. 203103).

Überprüfen Sie die folgenden vormontierten Griffbauteile auf ihren festen Sitz: Schraube Nr.2048032, Mutter Nr. 203100, Schlossschrauben Nr. 203103.

Revise que las siguientes áreas de las asas premontadas estén apretadas: Tornillo N/P 2048032, tuerca N/P 203100, pernos cabeza de carro N/P 203103



- 2.** Placez des repères sur les sections de poteau avec du ruban adhésif (non fourni), comme illustré.
Die Stangenteile wie gezeigt mit Klebeband (nicht im Lieferumfang enthalten) markieren.
Marque con cinta las secciones del poste (no se suministran), como se muestra.



- 3.** Tout en maintenant l'alignement, entrechoquez les sections de poteau supérieure (4) et centrale (5) en utilisant une chute de bois, comme illustré, jusqu'à ce qu'elles ne bougent plus vers le repère de référence (ruban adhésif). Redressez l'ensemble.

Unter Wahrung der korrekten Ausrichtung das mittlere Stangenteil (5) wie gezeigt mit einem Holzstück in das obere Stangenteil (4) hineinklopfen, bis sich das obere Stangenteil nicht mehr auf die mit Klebeband markierte Stelle am mittleren Stangenteil zubewegt. Den Stangenaufbau aufrichten.

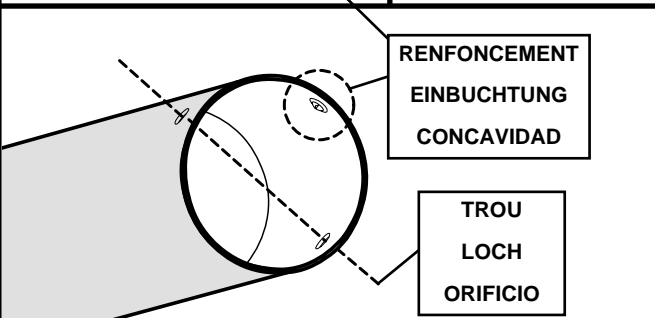
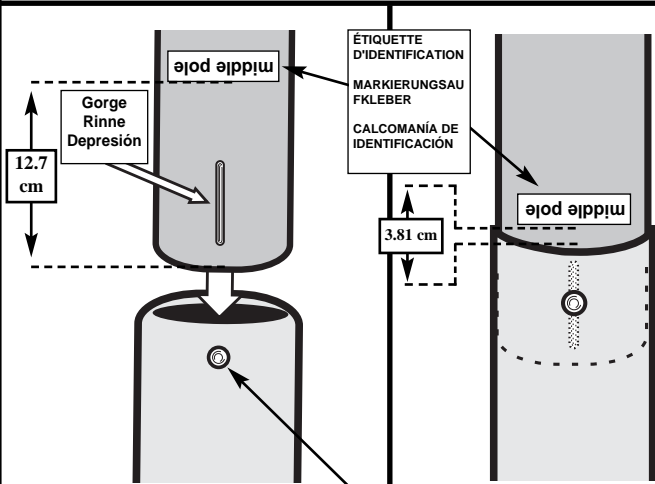
Mientras mantiene la alineación, golpee la sección media el poste (5) en la sección superior (4) usando un recorte de madera, como se muestra, hasta que la sección superior del poste ya no se mueva hacia la marca de referencia de cinta que se encuentra en la sección media del poste. Coloque el conjunto en posición vertical.

IMPORTANT! / WICHTIG! / ¡IMPORTANTE!

Alignez le petit creux de la section de poteau supérieure (4) dans la gorge de la section de poteau centrale (5), comme illustré.

Die Ausbuchtung im oberen Stangenteil (4) wie gezeigt mit der Rinne im mittleren Stangenteil (5) ausrichten.

Alinee la concavidad de la sección superior del poste (4) con la depresión de la sección media del poste (5) como se muestra.

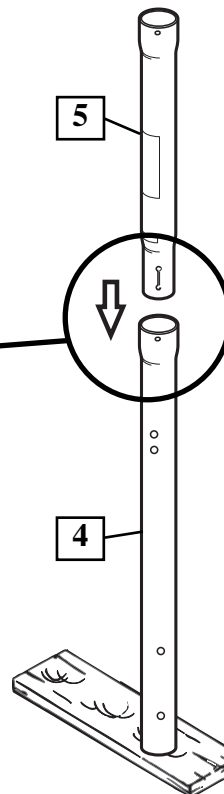


ATTENTION! VORSICHT! ¡PRECAUCIÓN!

L'ÉTIQUETTE D'IDENTIFICATION SE SITUE À 12,7 (5") CM DE L'EXTRÉMITÉ DU POTEAU. LORSQU'ELLES SONT CORRECTEMENT EMBÔÎTÉES LES UNES DANS LES AUTRES, LES SECTIONS DE POTEAU DOIVENT SE CHEVAUCHER DE 9 CM (3 1/2") MINIMUM, EN LAISSANT 3,8 CM (1 1/2") ENTRE LA SECTION QUI CHEVAUCHE ET L'ÉTIQUETTE D'IDENTIFICATION.

DER MARKIERUNGS-AUFKLEBER BEFINDET SICH CA. 12,7 CM (5") VOM STANGENENDE. WENN DIE STANGENTEILE RICHTIG ZUSAMMENGESTAUCHT WURDEN, SOLLTEN SIE UM MINDESTENS 9 CM (3 1/2") ÜBERLAPPEN. DER ABSTAND ZWISCHEN DEM ÜBERLAPPENDEN STANGENTEIL UND DEM MARKIERUNGS-AUFKLEBER SOLLTE ALSO 3,8 CM (1 1/2") BETRAGEN.

LA CALCOMANÍA DE IDENTIFICACIÓN ESTÁ COLOCADA A 12,7 CM (5") DEL EXTREMO DEL POSTE. CUANDO ESTÁN ADECUADAMENTE EMBRAGADAS, LAS SECCIONES DEL POSTE DEBEN TENER UN TRASLAPÉ MÍNIMO DE 9 CM (3 1/2"), DEJANDO 3,8 CM (1 1/2") ENTRE EL POSTE TRASLAPADO Y LA CALCOMANÍA DE IDENTIFICACIÓN.



Bout de bois (non fourni)
Holzstück (nicht im Lieferumfang enthalten)
Trozo de madera (No se suministra)

4. Entrechoquez l'ensemble sections supérieure (4) et centrale (5) avec la section inférieure (6) à l'aide d'une chute de bois, comme illustré. Entrechoquez-les jusqu'à ce que l'ensemble sections supérieure et centrale ne bougent plus vers le repère de référence (ruban adhésif) sur la section de poteau inférieure.

Den oberen (4) und mittleren Stangenaufbau (5) wie gezeigt mit einem Holzstück in das obere Stangenteil (6) hineinklopfen. Die Baugruppen zusammenstauchen, bis sich der obere und mittlere Stangenaufbau nicht mehr auf die mit Klebeband markierte Stelle am unteren Stangenteil zubewegen.

Golpee el conjunto de la sección superior del poste (4) y la sección media del poste (5) en la sección inferior del poste (6) usando un trozo de madera como se muestra. Siga golpeando hasta que el conjunto de las secciones superior y media del poste ya no se mueva hacia la marca de referencia de cinta que se encuentra en la sección inferior del poste.



**ATTENTION!
VORSICHT!
¡PRECAUCIÓN!**

L'ÉTIQUETTE D'IDENTIFICATION SE SITUE À 12,7 (5") CM DE L'EXTRÉMITÉ DU POTEAU. LORSQU'ELLES SONT CORRECTEMENT EMBÔITÉES LES UNES DANS LES AUTRES, LES SECTIONS DE POTEAU DOIVENT SE CHEVAUCHER DE 9 CM (3 1/2") MINIMUM, EN LAISSANT 3,8 CM (1 1/2") ENTRE LA SECTION QUI CHEVAUCHE ET L'ÉTIQUETTE D'IDENTIFICATION.

DER MARKIERUNGS-AUFKLEBER BEFINDET SICH CA. 12,7 CM (5") VOM STANGENENDE. WENN DIE STANGENTEILE RICHTIG ZUSAMMENGESTAUCHT WURDEN, SOLLTEN SIE UM MINDESTENS 9 CM (3 1/2") ÜBERLAPPEN. DER ABSTAND ZWISCHEN DEM ÜBERLAPPENDEN STANGENTEIL UND DEM MARKIERUNGS-AUFKLEBER SOLLTE ALSO 3,8 CM (1 1/2") BETRAGEN.

LA CALCOMANÍA DE IDENTIFICACIÓN ESTÁ COLOCADA A 12,7 CM (5") DEL EXTREMO DEL POSTE. CUANDO ESTÁN ADECUADAMENTE EMBRAGADAS, LAS SECCIONES DEL POSTE DEBEN TENER UN TRASLAPÉ MÍNIMO DE 9 CM (3 1/2"), DEJANDO 3,8 CM (1 1/2") ENTRE EL POSTE TRASLAPADO Y LA CALCOMANÍA DE IDENTIFICACIÓN.

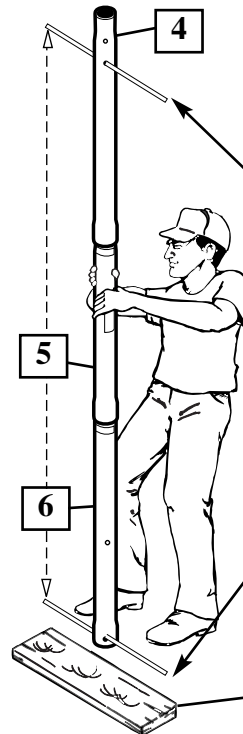
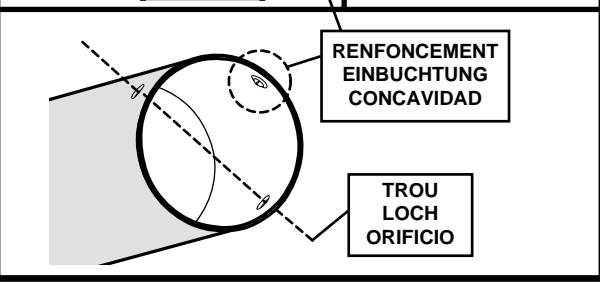
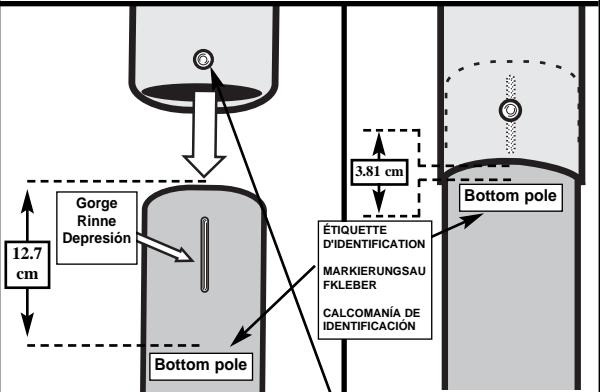


IMPORTANT! / WICHTIG! / ¡IMPORTANTE!

Alignez le petit creux de la section de poteau supérieure (5) sur la gorge de la section de poteau centrale (6), comme illustré.

Die Ausbuchtung im mittleren Stangenteil (5) wie gezeigt mit der Rinne im unteren Stangenteil (6) ausrichten.

Alinee la concavidad de la sección media del poste (5) con la depresión de la sección inferior del poste (6) como se muestra.



CES TIGES SONT ILLUSTRÉES UNIQUEMENT POUR INDIQUER L'ALIGNEMENT REQUIS. ELLES NE SONT PAS COMPRIS DANS LE MATÉRIEL FOURNI.

DIE HIER ABGEBILDETEN STÄBE DIENEN NUR DER BESSEREN VERANSCHAULICHUNG DER KORREKTEN AUSRICHTUNG; SIE SIND NICHT IM LIEFERUMFANG ENTHALTEN.

LAS VARILLAS SE MUESTRAN CON EL OBJETO DE REPRESENTAR VISUALMENTE LA ALINEACIÓN, Y NO SE SUMINISTRAN CON EL HERRAJE

Bout de bois (non fourni)

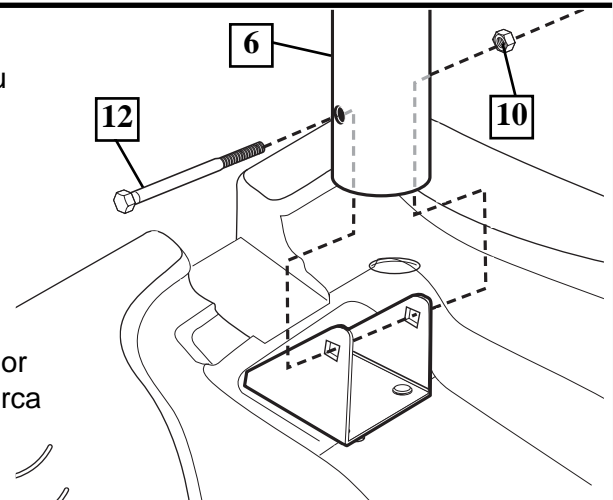
Holzstück (nicht im Lieferumfang enthalten)

Trozo de madera (No se suministra)

5. Enflez le boulon (12) dans le support et la section de poteau inférieure (6) et fixez avec l'écrou (10), comme illustré. L'écrou doit être serré jusqu'à ce qu'il soit contre le bord extérieur des contre-écrous.

Die Schraube (12) wie gezeigt durch die Halterung und das untere Stangenteil (6) schieben und mit der Mutter (10) befestigen. Die Mutter muss so weit angezogen werden, bis sie bündig mit der Außenkante der Gegenmutter abschließt.

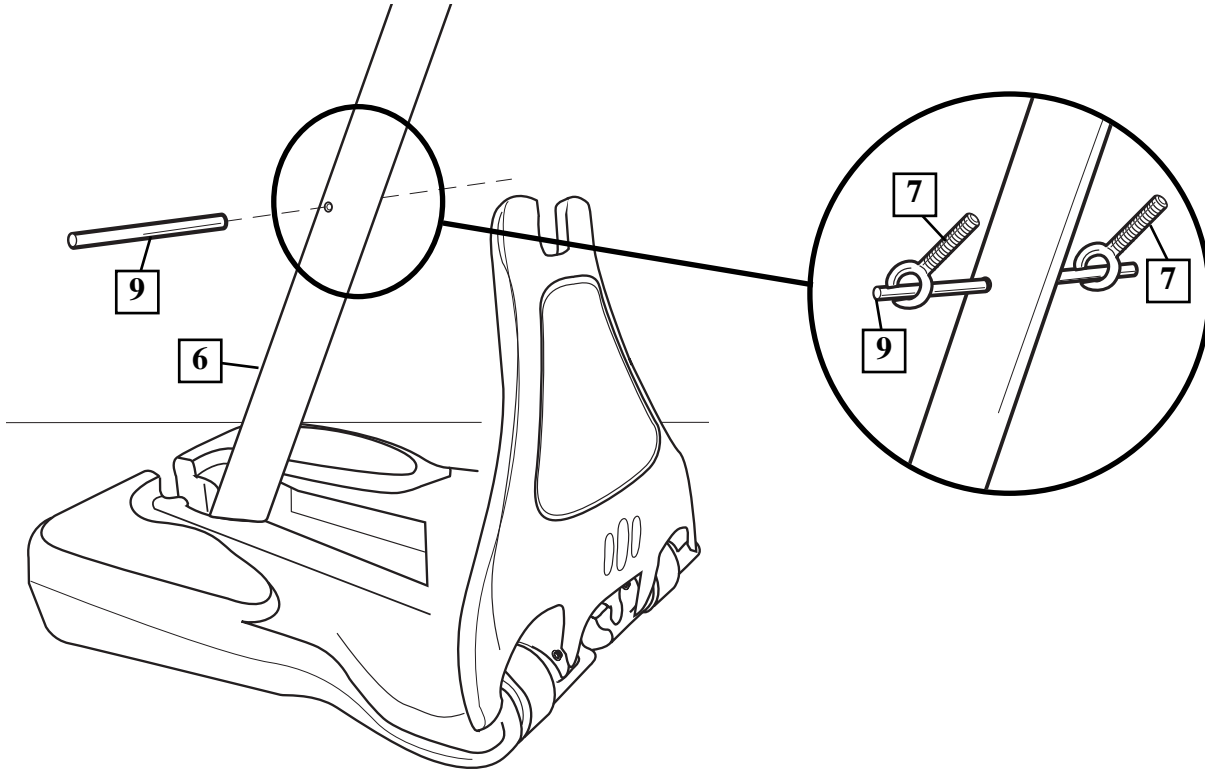
Instale el perno (12) a través del soporte y de la sección inferior del poste (6) y fije con la tuerca (10) como se muestra. La tuerca se debe apretar hasta que quede al ras del borde exterior de las contratuercas.



6. Enfilez la tige (9) dans la section de poteau inférieure (6), comme illustré. Installez les boulons à œil (7) sur la tige (9), comme illustré.

Die Stange (9) wie gezeigt durch das untere Stangenteil (6) anbringen. Die großen Einschraubösen (7) wie gezeigt an der Stange (9) anbringen.

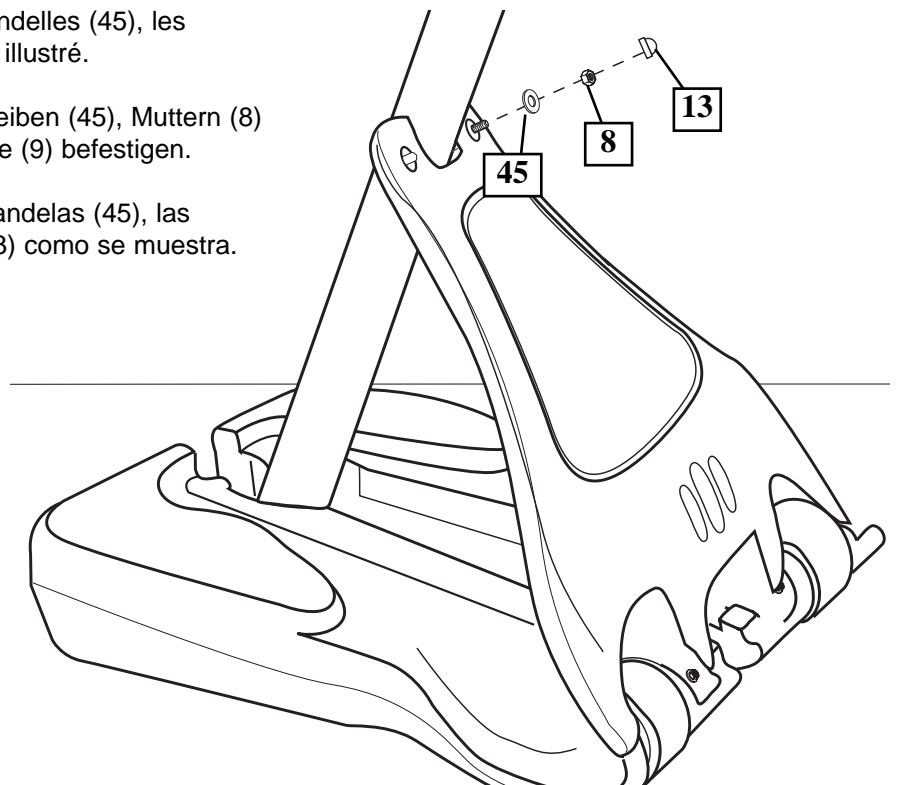
Instale la varilla (9) a través de la sección inferior del poste (6) como se muestra. Instale los pernos de anilla grandes (7) en la varilla (9) como se muestra.



7. Fixez le couvercle sur la tige (9) avec les rondelles (45), les écrous (8) et les cache-écrous (13), comme illustré.

Die Abdeckung wie gezeigt mit Unterlegscheiben (45), Muttern (8) und Mutternabdeckungen (13) an der Stange (9) befestigen.

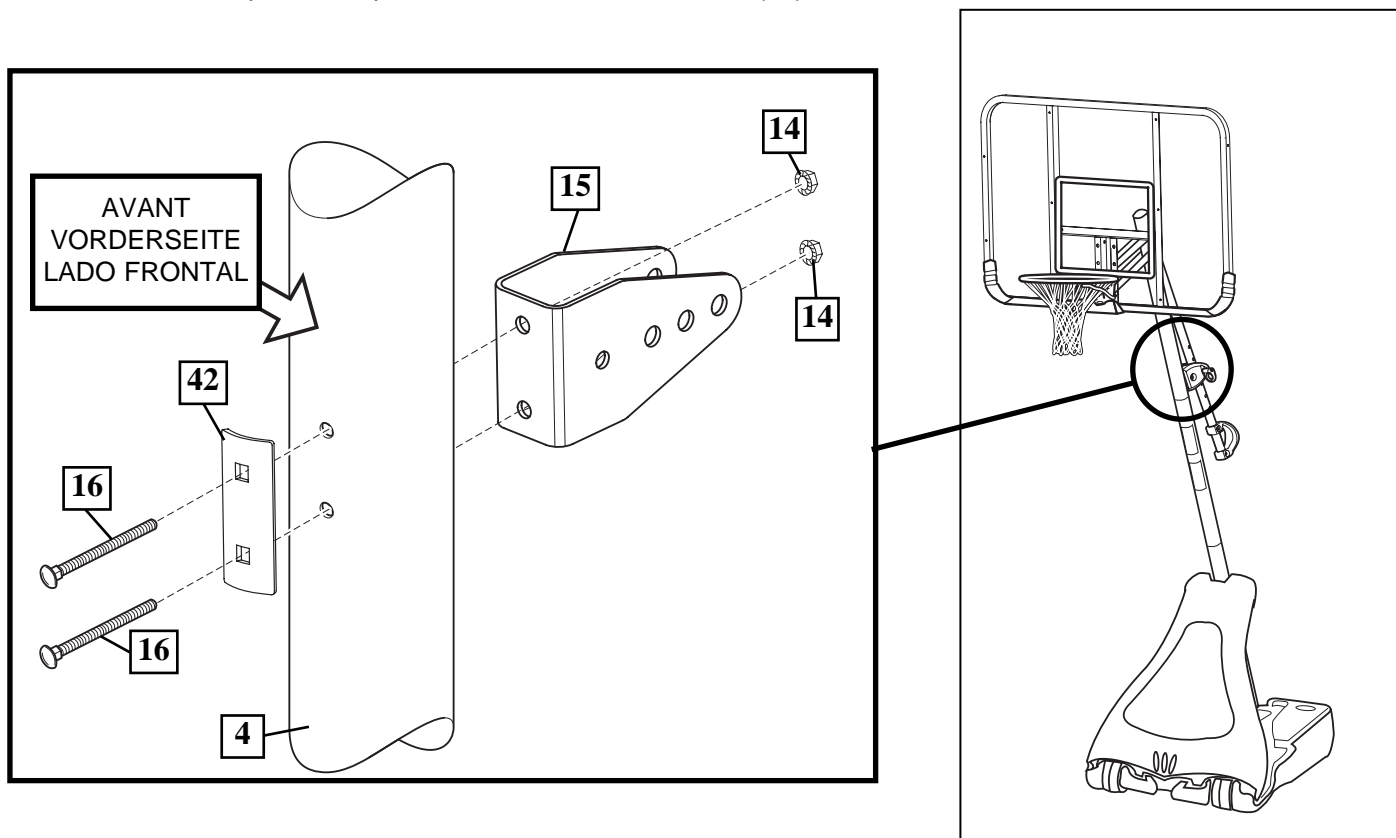
Fije la cubierta a la varilla (9) usando las arandelas (45), las tuercas (8) y las cubiertas de las tuercas (13) como se muestra.



8. Installez le support du poteau (15) et le support de renforcement (42) à l'aide des boulons ordinaires (16), comme illustré. Serrez à fond les écrous à bride (14).

Die Stangenmontagehalterung (15) und die Verstärkungshalterung (42) wie gezeigt mit Schlossschrauben (16) befestigen. Die Flanschmutter (14) fest anziehen.

Instale el soporte de montaje del poste (15) y el soporte de refuerzo (42) con los pernos cabeza de carro (16) como se muestra. Apriete completamente las tuercas de brida (14).




9. Attachez les entretoises (20, 21) au support de poteau (15) avec les boulons (19), les rondelles (17) et les écrous (18), comme illustré.

Die Abstandsstücke (20, 21) wie gezeigt mit Schrauben (19), Unterlegscheiben (17) und Muttern (18) an der Stangenmontagehalterung (15) befestigen.

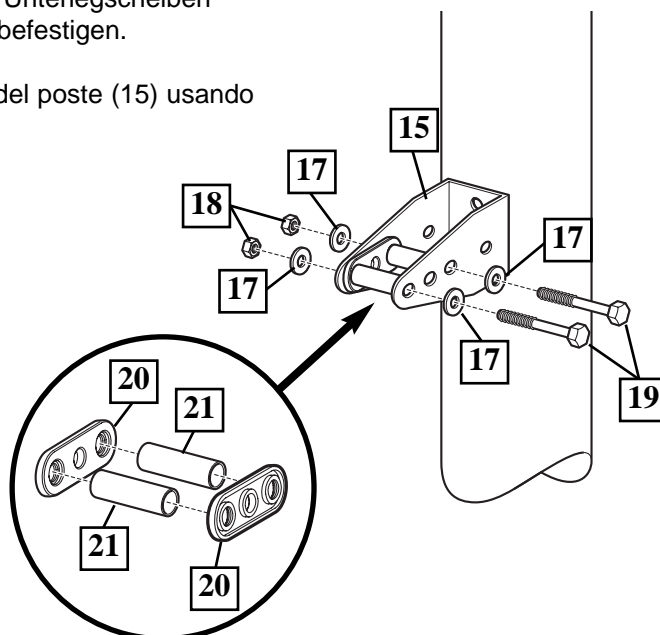
Conecte los espaciadores (20, 21) en el soporte de montaje del poste (15) usando pernos (19), arandelas (17) y tuercas (18) como se muestra.

IMPORTANT!
WICHTIG!
¡IMPORTANTE!

 Serrez juste jusqu'à ce que les rondelles (17) cessent de tourner.

Nur so weit anziehen, bis sich die Unterlegscheiben (17) nicht mehr bewegen.

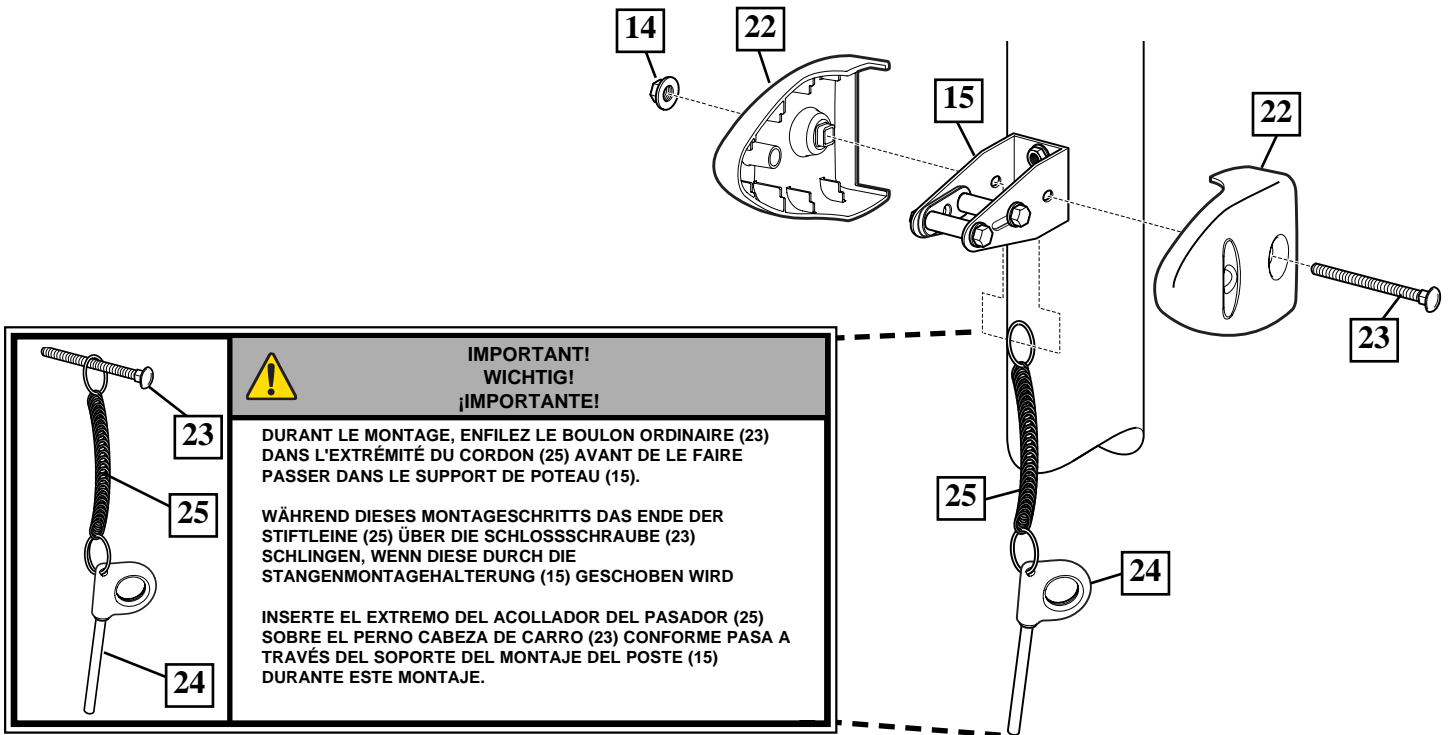
Apriete lo suficiente para que las arandelas (17) no se muevan.



10. Assemblez le cordon (25) et la goupille de blocage (24), comme illustré (FIG. a). Attachez les protections (22) sur le support de poteau (15) à l'aide du boulon ordinaire (23) et de l'écrou (14), comme illustré.

Die Leine (25) wie gezeigt (Abb. A) am Verriegelungsstift (24) befestigen. Die Abdeckungen (22) mit der Schlossschraube (23) und Mutter (14) wie gezeigt an der Stangenmontagehalterung (15) befestigen.

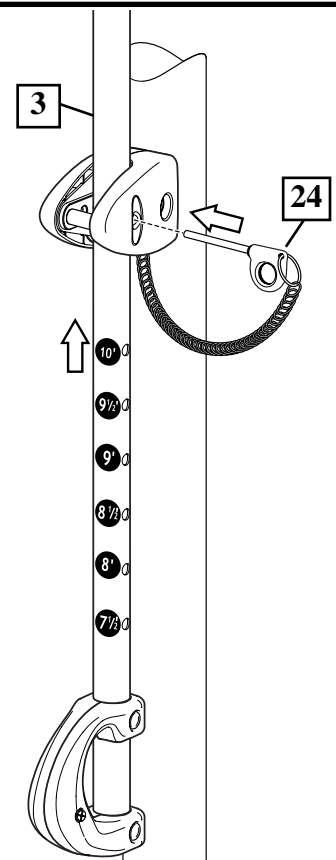
Monte el acollador (25) en el perno de fijación (24) como se muestra (FIG A). Coloque las cubiertas (22) en el soporte de montaje del poste (15) con un perno cabeza de carro (23) y una tuerca (14) como se muestra.



11. Insérez l'ensemble des barres (3) dans le support de poteau, comme illustré. Bloquez le poteau en position à 3.05 m (10 pieds) à l'aide de la goupille (24).

Die Griffbaugruppe (3) wie gezeigt durch Stangenmontageeinheit schieben. Den Stangenaufbau mit dem Stift (24) an der 3,05-m- (10-Fuß)-Markierung sichern.

Introduzca el conjunto de la manija (3) a través del conjunto de montaje del poste, como se muestra. Fije el conjunto del poste en su lugar en la marca de los 10' (3.05 m) con el pasador (24).

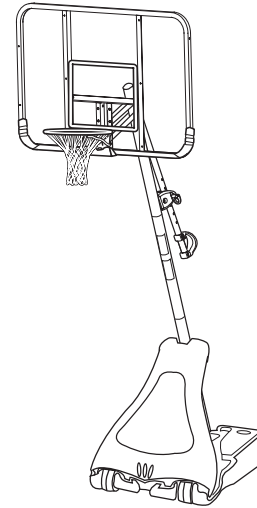


SECTION B: ATTACHEZ LE PANNEAU BAUABSCHNITT B: ANBRINGEN DER KORBWAND SECCIÓN B: CONECTE EL RESPALDO

Voici à quoi ressemblera votre système lorsque vous en aurez fini avec cette section.

So sieht das System aus, wenn Sie mit diesem Bauabschnitt fertig sind.

Así es como se verá su sistema cuando haya terminado esta sección.

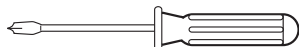


OUTILS REQUIS POUR CETTE SECTION FÜR DIESEN BAUABSCHNITT BENÖTIGTES WERKZEUG HERRAMIENTAS REQUERIDAS PARA ESTA SECCIÓN

(2) clés 1/2", (2) clés 9/16" ET (2) clés 3/4"
(2) 1/2", (2) 9/16" UND (2) 3/4" Schraubenschlüssel
(2) Llaves de 1/2", (2) de 9/16" Y (2) de 3/4"

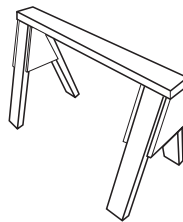


un tournevis cruciforme
ein Kreuzschlitzschraubenzieher
un destornillador Phillips

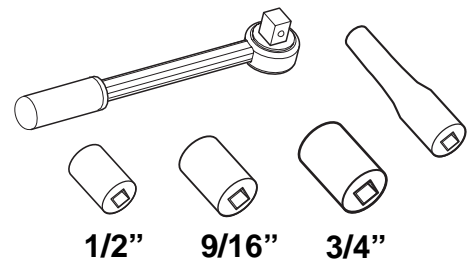


ET/OU
UND/ODER
Y/O

Table de soutien
Sägebock oder Stütztisch
Caballete o tabla de apoyo



(2) clés à douille et douilles
(2) Steckschlüssel und Einsätze
(2) Llaves de tuercas de boca tubular y casquillos de



Repérez les tubes du dispositif élévateur (35 et 32).

Die Verlängerungsröhre (35 u. 32) zurecht legen.

Identifique los tubos elevadores (35 y 32).

35 Tube supérieur du dispositif élévateur / Oberes Verlängerungsröhr / Tubo elevador superior

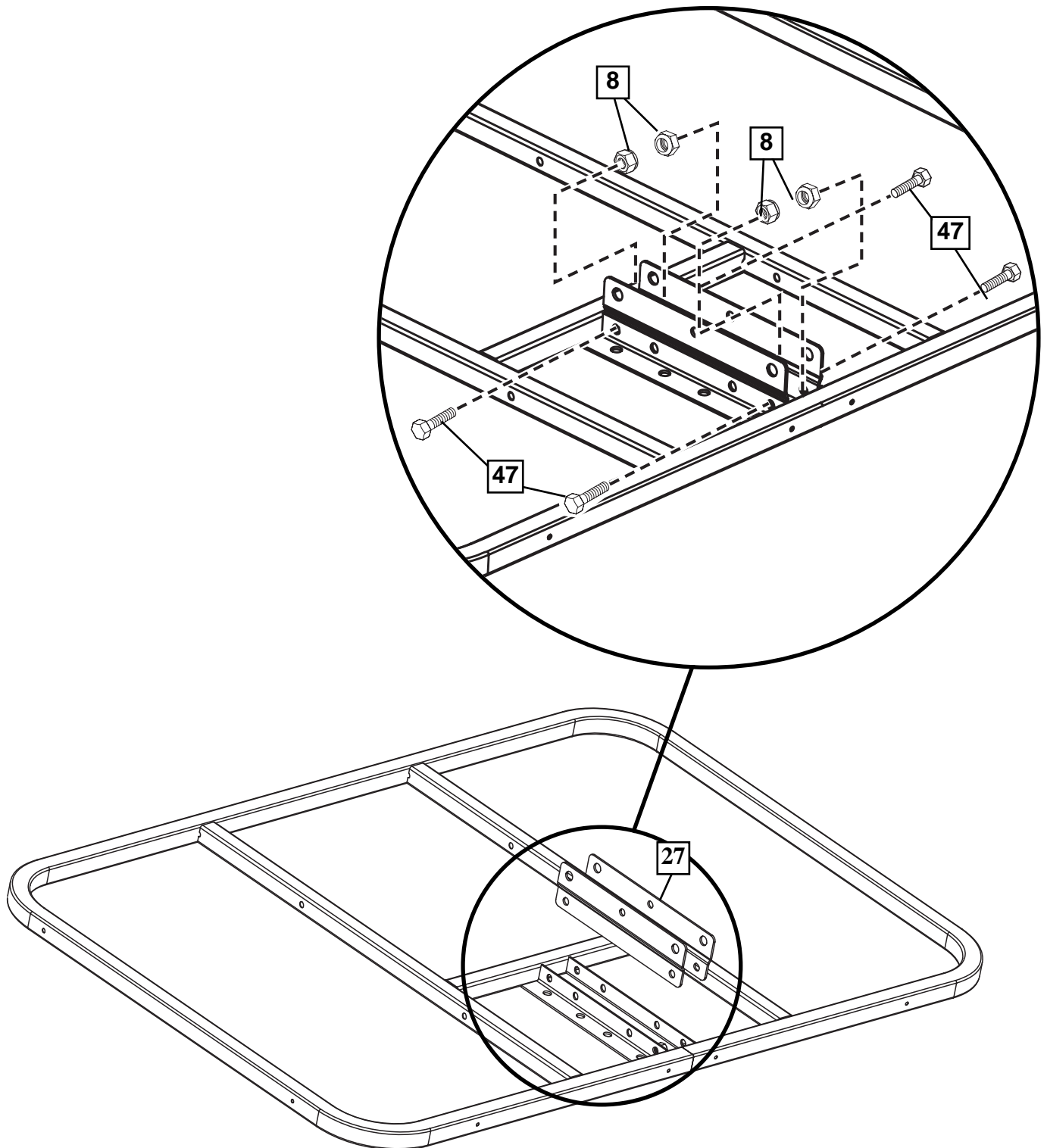
32 Tube inférieur du dispositif élévateur / Unteres Verlängerungsröhr / Tubo elevador inferior

1.

Assemblez les supports de panneau (27) à l'aide des boulons (47) et des écrous (8), comme illustré.

Die Korbwandklammern (27) wie gezeigt mit Schrauben (47) und Muttern (8) zusammenbauen.

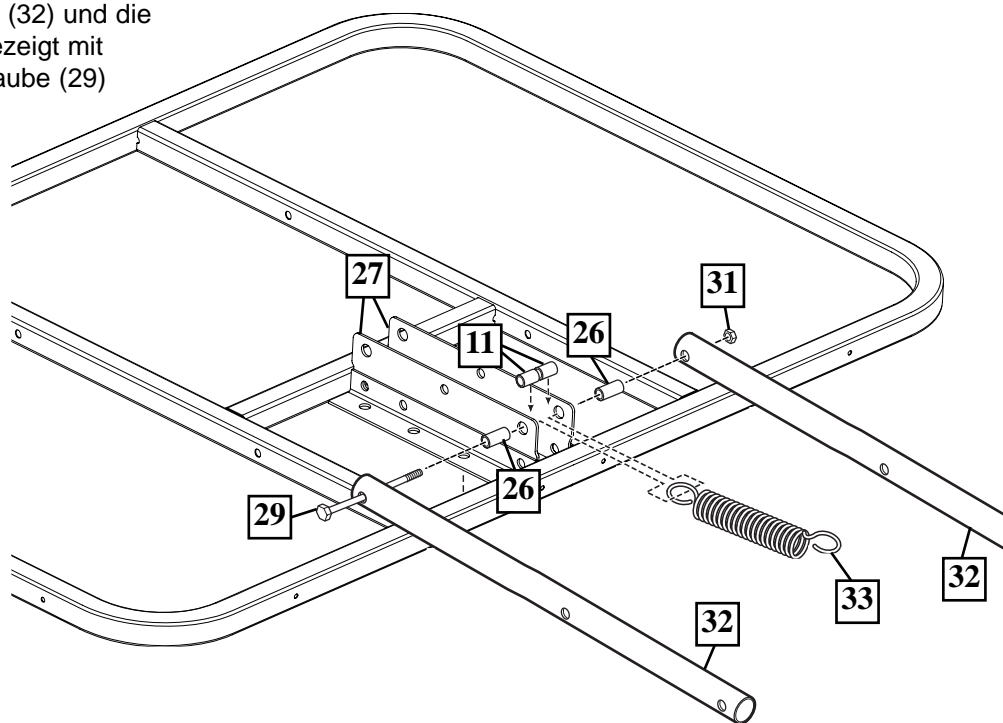
Monte los soportes del respaldo (27) usando pernos (47) y tuercas (8) como se muestra.



- 2.** Attachez les tubes inférieurs de l'élèveur (32) et le ressort de contrepoids (33) aux supports du panneau (27) à l'aide des entretoises (11, 26), du boulon (29) et de l'écrou (31), comme illustré.

Die unteren Verlängerungsrohre (32) und die Gegengewichtsfeder (33) wie gezeigt mit Abstandsstücken (11, 26), Schraube (29) und Mutter (31) an den Korbwandstützklammern (27) befestigen.

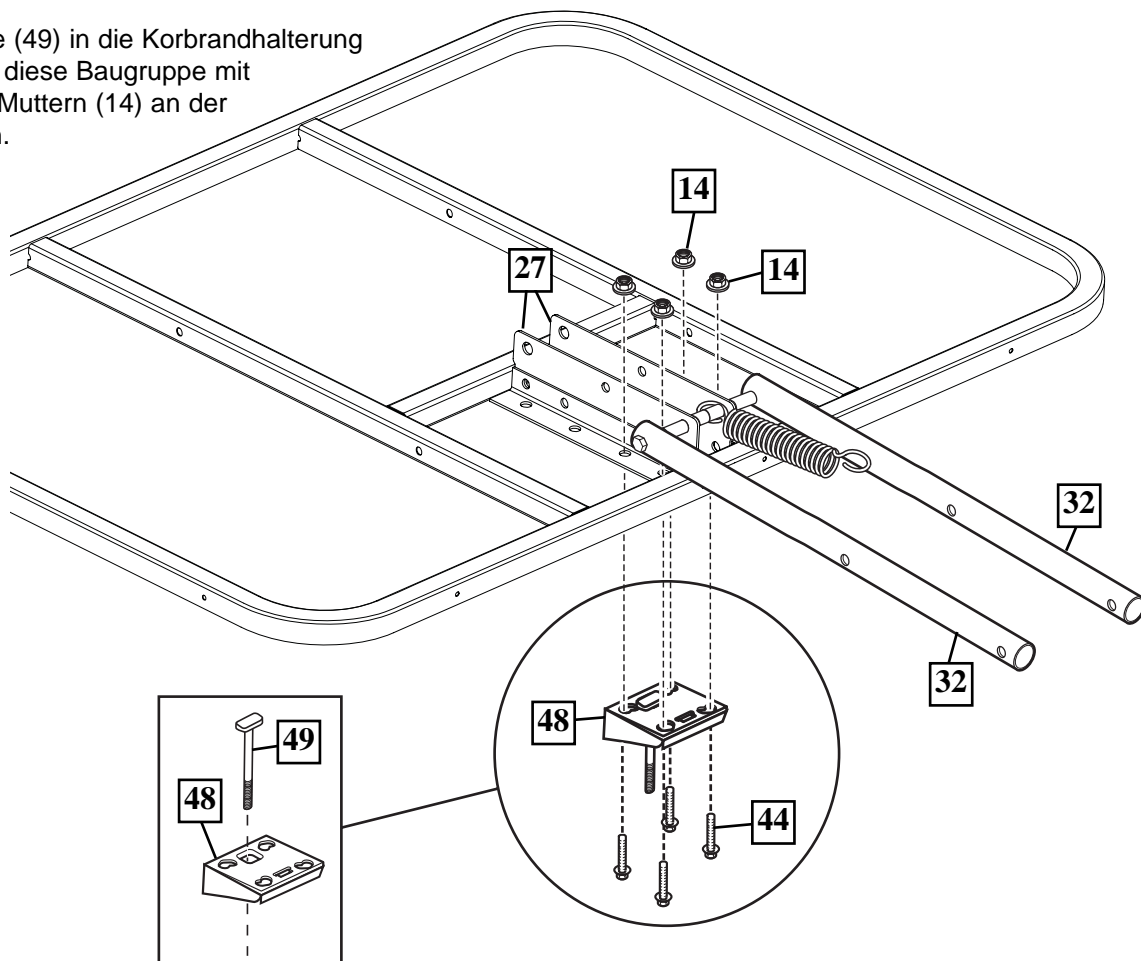
Conecte los tubos elevadores inferiores (32) y el resorte de contrapeso (33) en los soportes del respaldo (27) usando espaciadores (11, 26) pernos (29) y tuercas (31) como se muestra.



- 3.** Insérez le boulon à T (49) dans le support de cerceau (48), puis attachez l'ensemble au panneau à l'aide des boulons (44) et des écrous (14).

Die T-Nutenschraube (49) in die Korbrandhalterung (48) einsetzen; dann diese Baugruppe mit Schrauben (44) und Muttern (14) an der Korbwand befestigen.

Introduzca el perno en T (49) en el soporte del borde (48), y luego monte ese conjunto en el tablero usando pernos (44) y tuercas (14).

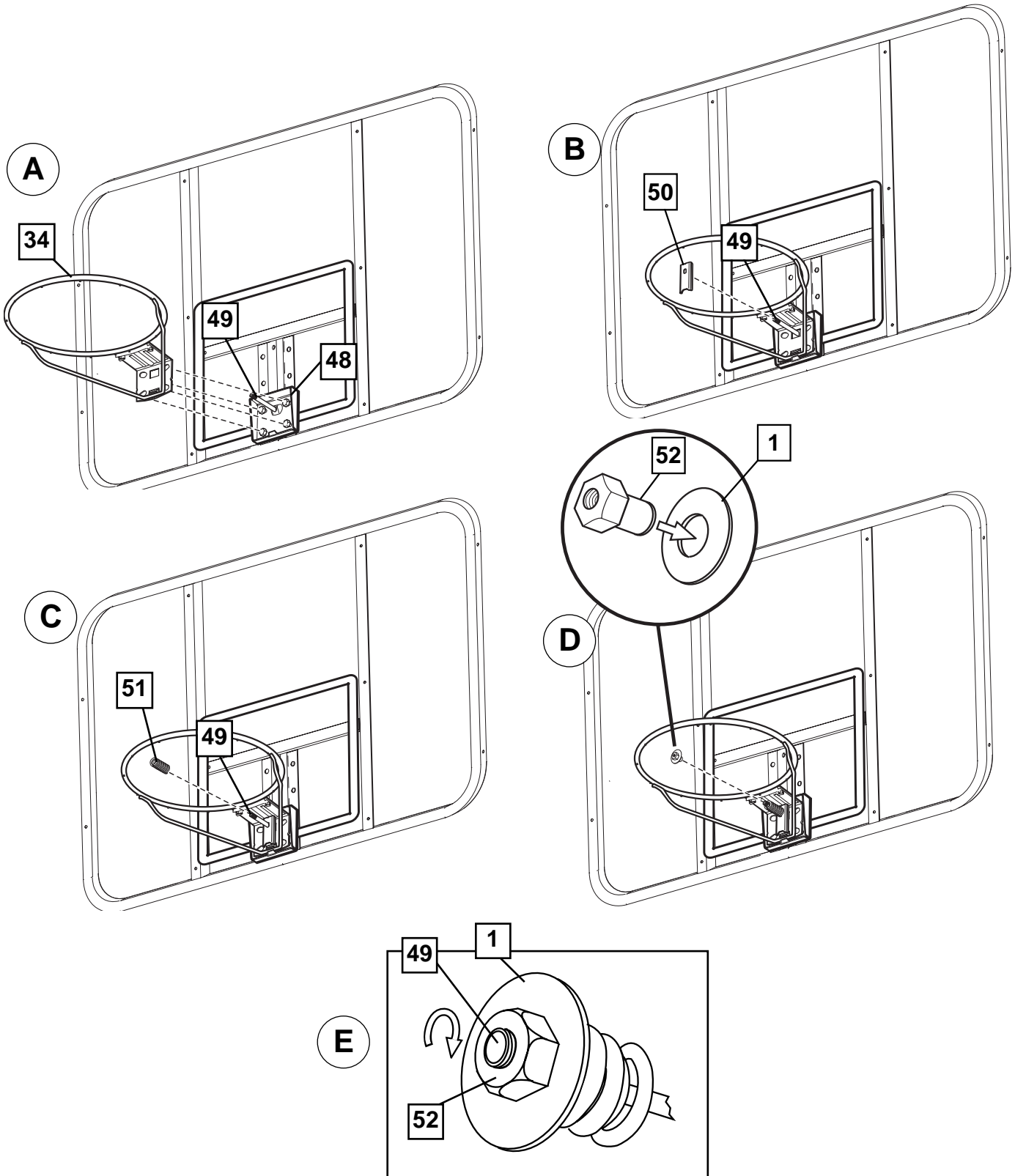


4.

Installez le cerceau Slam Jam sur le panneau.

Den Slam Jam-Korbrand an der Korbwand befestigen.

Instale el borde Slam Jam en el respaldo



Installez le cerceau Slam Jam sur le panneau.

- A. Calez bien le cerceau (34) dans le support (48), comme illustré. Laissez glisser le boulon à T (49) à travers le trou central du cerceau (34).
- B. Installez le support de renforcement (50) sur le boulon à T (49), comme illustré.
- C. Installez le ressort (51) sur le boulon à T (49), comme illustré.
- D. Installez l'écrou spécial (52) et la rondelle (1) sur le boulon à T (49).
- E. Serrez l'écrou (52) jusqu'à ce qu'il se trouve au même niveau que l'extrémité du boulon à T (49).

Den Slam Jam-Korbrand an der Korbwand befestigen.

- A. Den Korbrand (34) wie gezeigt in die Halterung (48) einsetzen. Die T-Nutenschraube (49) gleitet durch das mittlere Loch im Korbrand (34).
- B. Die Verstärkungshalterung (50) wie gezeigt über die T-Nutenschraube (49) schieben.
- C. Die Feder (51) wie gezeigt auf der T-Nutenschraube (49) anbringen.
- D. Die Spezialmutter (52) und Unterlegscheibe (1) auf der T-Nutenschraube (49) anbringen.
- E. Die Mutter (52) anziehen, bis sie bündig mit dem Ende der T-Nutenschraube (49) abschließt.

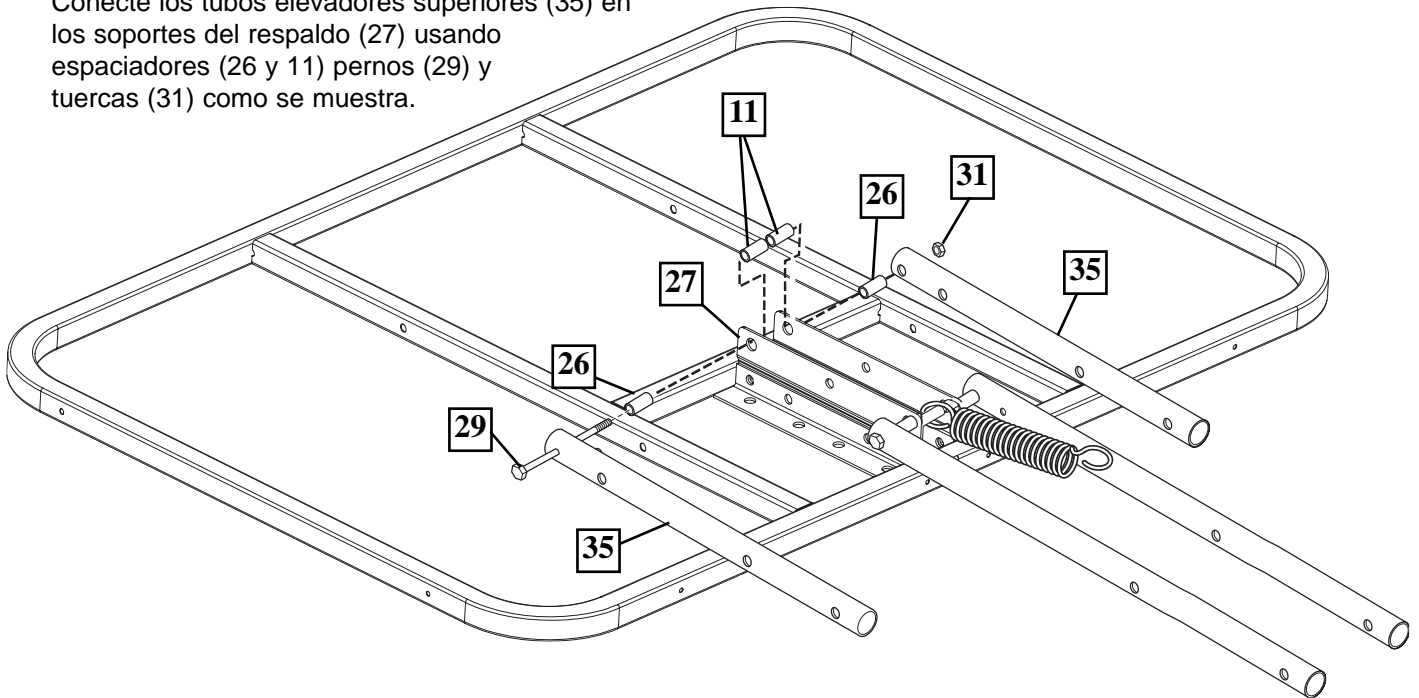
Instale el borde Slam Jam en el respaldo

- A. Ajuste el borde (34) seguramente en el soporte (48) como se muestra. Permita que el perno en "T" (18) se deslice a través del orificio central del borde (34).
- B. Instale el soporte de refuerzo (50) en el perno "T" (49) como se muestra.
- C. Instale el resorte (51) en el perno T (49) como se muestra.
- D. Instale la tuerca especial (52) y la arandela (1) en el perno T (49).
- E. Apriete la tuerca (52) hasta que quede al ras del extremo del perno T (49).

- 5.** Attachez les tubes supérieurs du système élévateur (35) aux supports du panneau (27) à l'aide des entretoises (26 & 11), du boulon (29) et de l'écrou (31), comme illustré.

Die oberen Verlängerungsrohre (35) wie gezeigt mit Abstandsstücken (26 u. 11), Schraube (29) und Mutter (31) an den Korbwandstützklammern (27) befestigen.

Conecte los tubos elevadores superiores (35) en los soportes del respaldo (27) usando espaciadores (26 y 11) pernos (29) y tuercas (31) como se muestra.



- 6.** Appuyez le poteau sur le banc de sciage. Attachez le panneau à la section de poteau supérieure (4), comme illustré. Installez le capuchon du poteau (38). Soyez prudent, car le système élévateur est lourd.

Die Stange auf einen Sägebock legen. Die Korbwandbaugruppe wie gezeigt am oberen Stangenteil (4) befestigen. Die Stangenkappe (38) aufsetzen. Bitte vorsichtig zu Werke gehen; die Verlängerungsbaugruppe ist sehr schwer.

Apoye el poste en un caballete de aserrar. Conecte el conjunto del respaldo en la sección superior del poste (4) como se muestra. Instale la tapa del poste (38). Tenga cuidado; el conjunto del elevador es pesado.



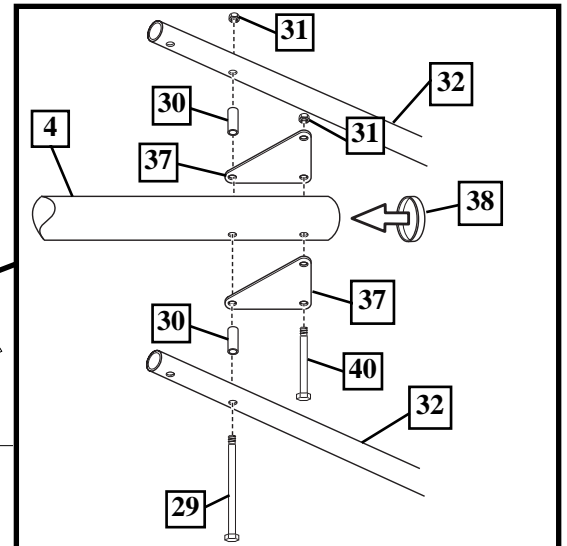
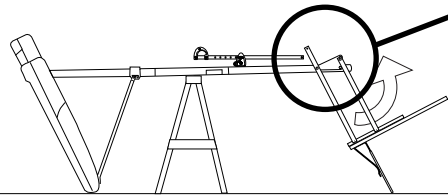
**AVERTISSEMENT !
WARNUNG!
¡ADVERTENCIA!**



SOYEZ PRUDENT, CAR L'ENSEMBLE EST LOURD. DEUX ADULTES CAPABLES REQUIS POUR CETTE PROCÉDURE. SUIVEZ CET AVERTISSEMENT SOUS PEINE D'ENCOURIR DES BLESSURES GRAVES ET/OU DES DÉGÂTS MATÉRIELS.

BITTE VORSICHTIG ZU WERKE GEHEN; DIE BAUGRUPPE IST SEHR SCHWER. DIESER VERFAHRENSCHRITT MUSS VON ZWEI DAZU IN DER LAGE BEFINDLICHEN PERSONEN AUSGEFÜHRT WERDEN. EIN MISSACHTEN DIESER WARNUNG KANN ZU SCHWEREN VERLETZUNGEN UND/ODER SACHSCHÄDEN FÜHREN.

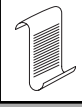
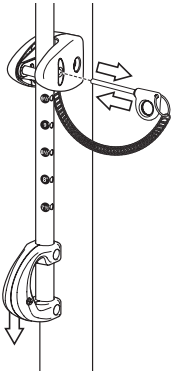
TENGA CUIDADO. EL CONJUNTO ES PESADO. SE REQUIEREN DOS PERSONAS PARA REALIZAR ESTE PROCEDIMIENTO. SE REQUIEREN DOS ADULTOS CAPACES PARA REALIZAR ESTE PROCEDIMIENTO. SI NO SE OBSERVA ESTA ADVERTENCIA SE PODRÍA OCASIONAR UNA LESIÓN GRAVE Y/O DAÑOS A LA PROPIEDAD.

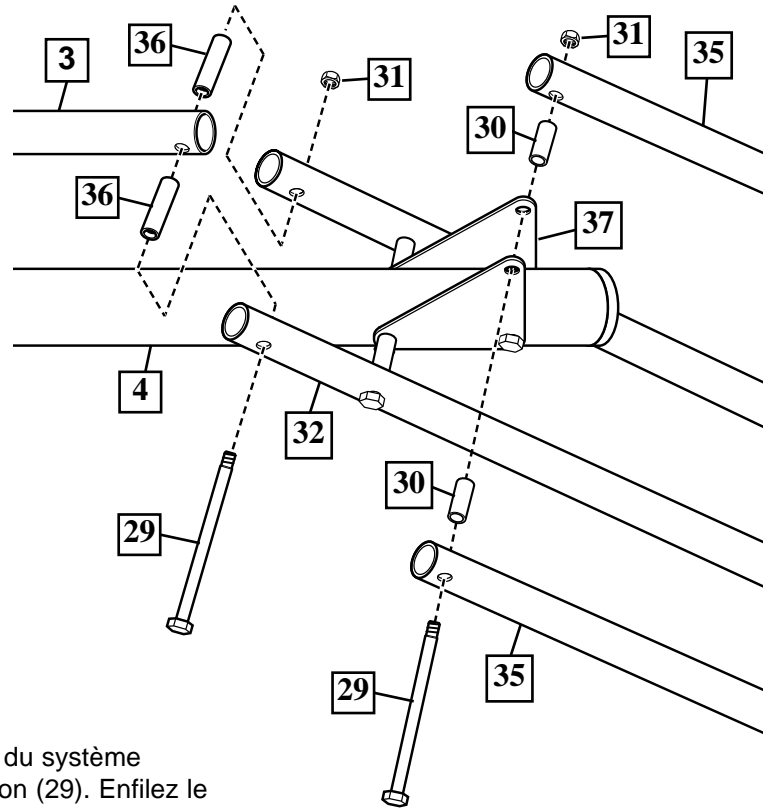


- 7.** Installez les tubes supérieurs du système élévateur (35) sur les plaques triangulaires (37), comme illustré. Installez la poignée sur les tubes inférieurs du système élévateur (32) en utilisant le boulon (29), les entretoises (36) et l'écrou (31), comme illustré.

Die oberen Verlängerungsrohre (35) wie gezeigt an den Dreiecksplatten (37) befestigen. Die Griffereinheit wie gezeigt mit Schraube (29), Abstandsstücken (36) und Mutter (31) an den unteren Verlängerungsrohren (32) anbringen.

Instale los tubos elevadores superiores (35) en las placas triangulares (37) como se muestra. Instale el conjunto de la manija en los tubos elevadores inferiores (32) usando el perno (29), espaciadores (36) y la tuerca (31) como se muestra.

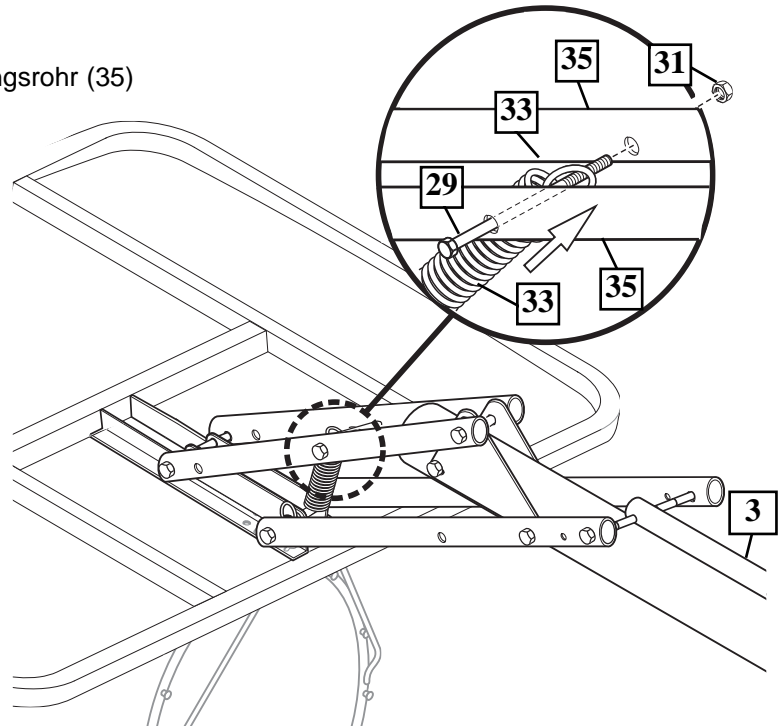
	REMARQUE: HINWEIS: NOTA:
	<p>Avant de passer à l'étape suivante, réglez le système réglable à 3,05 m.</p> <p>Bevor zum nächsten Schritt übergegangen wird, ist das Einstellsystem auf die 3,05-m- (10-Zoll)-Markierung einzustellen.</p> <p>Antes de continuar con el siguiente paso, coloque el conjunto del sistema ajustable a una altura de 3,05 m (10').</p>



- 8.** Enflez le boulon (29) dans le tube supérieur gauche du système élévateur (35), puis tendez le ressort (33) sur le boulon (29). Enflez le boulon (29) dans le tube supérieur droit du système élévateur (35), puis fixez avec l'écrou (31).

Die Schraube (29) durch das linke obere Verlängerungsrohr (35) schieben und die Feder (33) über die Schraube (29) dehnen. Die Schraube (29) durch das rechte obere Verlängerungsrohr (35) schieben und mit der Mutter (31) sichern.

Introduzca el perno (29) a través del tubo elevador superior del lado izquierdo (35), luego estire el resorte (33) hasta el perno (29). Introduzca el perno (29) a través del tubo elevador superior del lado derecho (35) y asegure con la tuerca (31).

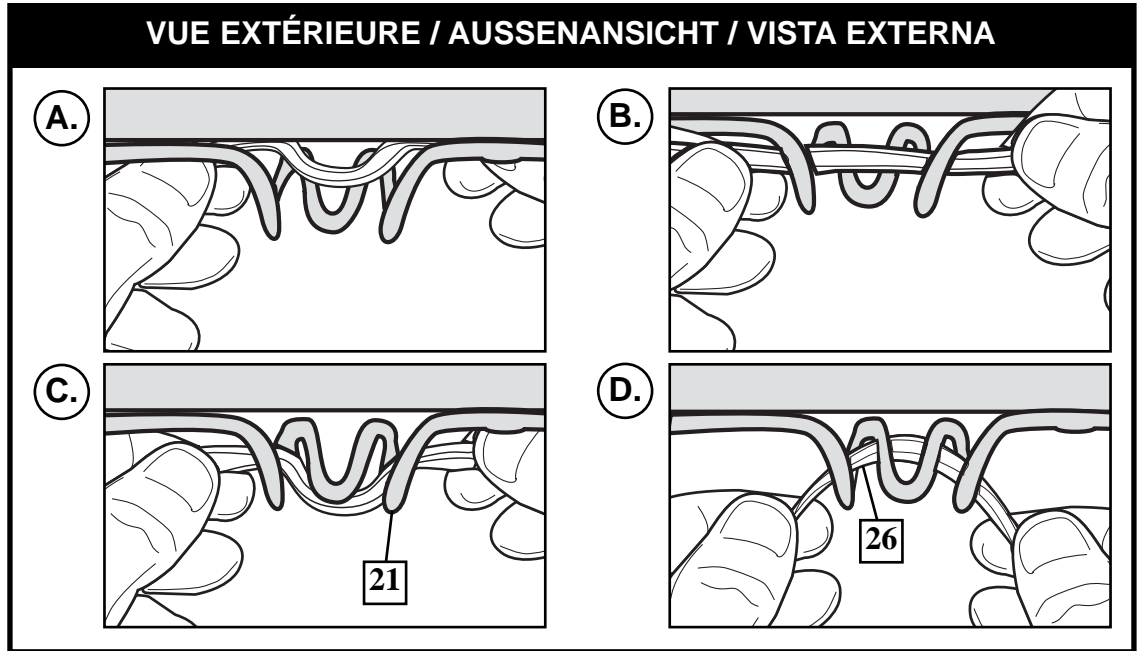


	AVERTISSEMENT! WARNUNG! ¡ADVERTENCIA!	
<p>PROTÉGEZ-VOUS LES YEUX LORSQUE VOUS INSTALLEZ DES RESSORTS.</p> <p>BEIM ANBRINGEN DER FEDERN AUGENSCHUTZ TRAGEN!</p> <p>CUANDO INSTALE LOS RESORTES UTILICE PROTECTORES OCULARES.</p>		

9. Installez le filet (26) comme illustré.

Das Netz (26) wie gezeigt anbringen.

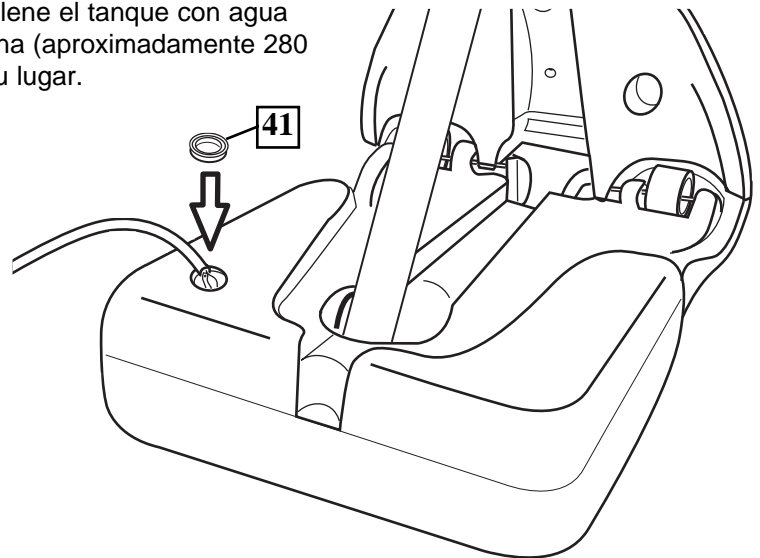
Instale la red (26) como se muestra.



10. Faites rouler l'ensemble jusqu'à la position désirée. Remplissez le réservoir d'eau (129 litres environ) ou de sable (128 kg environ) et installez le bouchon (41).

Den fertigen Aufbau an die gewünschte Position rollen. Den Tank mit Wasser (ca. 129 l [34 US-Gallonen]) oder Sand (ca. 128 kg [280 lbs]) füllen und den Tankdeckel (41) aufschrauben lassen.

Ruede el conjunto completo a la posición deseada. Llène el tanque con agua (aproximadamente 34 galones (129 litros)) o con arena (aproximadamente 280 libras (128 kg)) y conecte a presión la tapa (41) en su lugar.



**AVERTISSEMENT!
WARNUNG!
¡ADVERTENCIA!**

NE LAISSEZ PAS L'ENSEMBLE SANS SURVEILLANCE
LORSQU'IL EST VIDE, CAR IL RISQUE DE BASCULER.

DIE VORRICHTUNG IM LEEREN ZUSTAND NICHT
UNBEAUFICHTIGT LASSEN, DA SIE UMKIPPEN KÖNNTE.

NO DEJE EL CONJUNTO DESATENDIDO CUANDO ESTÉ
VACÍO, YA QUE SE PUEDE LADEAR.



**REMARQUE:
HINWEIS:
NOTA:**



**SI VOUS UTILISEZ DU SABLE: L'UTILISATION DE 4
LITRES D'ANTIGEL EST INUTILE.**

**BEI VERWENDUNG VON SAND: KEINE ZUSÄTZLICHEN
7,6 L (2 GAL) GEFRIERSCHUTZMITTEL EINFÜLLEN.**

**SI SE USA ARENA: NO SE REQUIERE EL USO DE
ANTICONGELANTE.**



**ATTENTION!
VORSICHT!
¡PRECAUCIÓN!**

**AJOUTEZ 7,6 LITRES (2 GALLONS) D'ANTIGEL NON TOXIQUE
EN PRÉVISION DE TEMPÉRATURES EN DESSOUS DE 0.**

**DEN TANK MIT 7,6 L (2 GAL) EINES UNGIFTIGEN
GEFRIERSCHUTZMITTELS FÜLLEN, UM IN KLIMAZONEN MIT
FROSTTEMPERATUREN EIN GEFRIEREN ZU VERHINDERN.**

**AÑADA 7.6 LITROS (DOS GALONES) DE ANTICONGELANTE
NO TÓXICO SI EL CLIMA ALCANZA TEMPERATURAS DE
CONGELAMIENTO.**

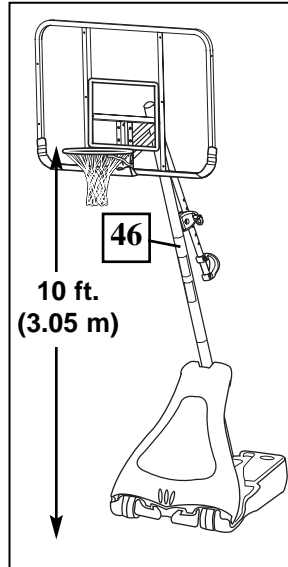
**SECTION C: APPLIQUEZ L'ÉTIQUETTE DE HAUTEUR ET DE DÉPLACEMENT ET DE RÉGLAGE DE HAUTEUR
 BAUABSCHNITT C: ANBRINGUNG DES HÖHENEINSTELL- UND TRANSPORTAUFKLEBERS UND HÖHENEINSTELLUNG
 SECCIÓN C: APLICACIÓN DE LA ETIQUETA DE ALTURA Y MOVIMIENTO Y AJUSTE DE LA ALTURA**

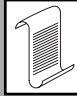
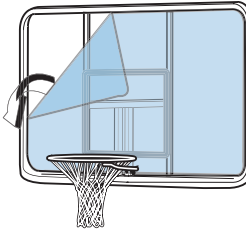
1. Collez l'étiquette d'échelle de hauteur et de déplacement (46) sur l'avant du poteau, comme illustré.

Höheneinstell- und Transportaufkleber (46) wie gezeigt an der Vorderseite der Stange anbringen.

Aplique la etiqueta de ajuste de la altura y de movimiento (46) en la parte frontal del poste, como se muestra.

	AVERTISSEMENT! WARNUNG! ¡ADVERTENCIA!	
<p>DEUX ADULTES CAPABLES REQUIS POUR CETTE PROCÉDURE. SUIVEZ CET AVERTISSEMENT SOUS PEINE D'ENCOURIR DES BLESSURES GRAVES ET/OU DES DÉGÂTS MATÉRIELS.</p>		
<p>DIESER VERFAHRENSSCHRITT MUSS VON ZWEI DAZU IN DER LAGE BEFINDLICHEN PERSONEN AUSGEFÜHRT WERDEN. EIN MISSACHTEN DIESER WARNUNG KANN ZU SCHWEREN VERLETZUNGEN UND/ODER SACHSCHÄDEN FÜHREN.</p>		
<p>SE REQUIEREN DOS ADULTOS CAPACES PARA REALIZAR ESTE PROCEDIMIENTO. SI NO SE OBSERVA ESTA ADVERTENCIA SE PODRÍA OCASIONAR UNA LESIÓN GRAVE Y/O DAÑOS A LA PROPIEDAD.</p>		

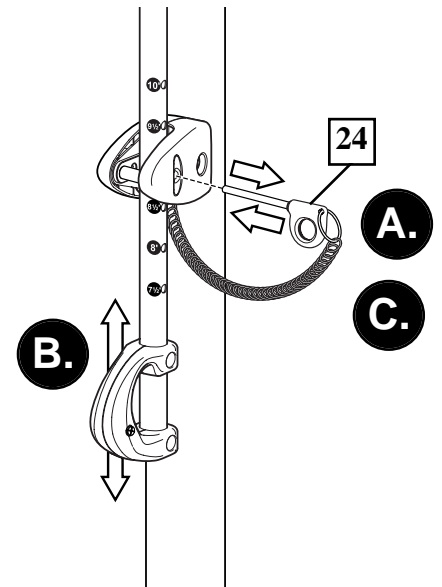


	REMARQUE: HINWEIS: NOTA:	<p>Décollez le film de protection de la surface du panneau en acrylique avant usage.</p>
		<p>Vor Gebrauch die Schutzfolie von der Oberfläche der Acryl-Korbwand abziehen.</p>
		<p>Desprenda la película protectora de la superficie del respaldo de acrílico antes de usarlo.</p>

2. A. Tout en tenant la poignée, retirez la goupille (24).
 B. Remontez ou descendez le système élévateur à la hauteur souhaitée.
 C. Réinsérez la goupille (24) à fond pour bloquer le système à cette hauteur.

A. Bei festgehaltenem Griff den Stift (24) herausziehen.
 B. Die Verlängerungsvorrichtung bis zur gewünschten Höhe nach oben oder unten verschieben.
 C. Den Stift (24) zum Verriegeln des Systems auf der gewünschten Höhe ganz hineinschieben.

A. Mientras sujeta la manija, quite el pasador (24).
 B. Mueva el elevador hacia arriba o hacia abajo hasta la altura deseada.
 C. Vuelva a insertar el perno (24) en toda su longitud para fijar el sistema a la altura deseada.



	AVERTISSEMENT! WARNUNG! ¡ADVERTENCIA!
<p>INTERDISEZ À UN ENFANT DE RÉGLER LA HAUTEUR.</p>	
<p>KINDERN DARF DAS VERSTELLEN DER HÖHE NICHT GESTATTET WERDEN.</p>	
<p>NO PERMITA QUE LOS NIÑOS AJUSTEN LA ALTURA.</p>	